



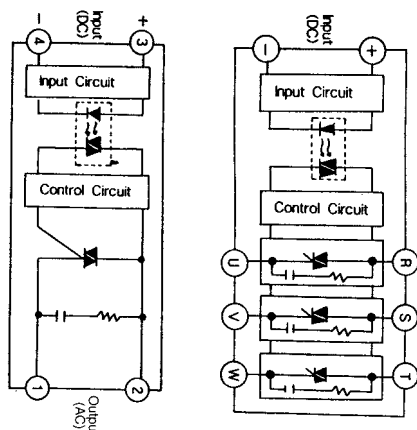
## DC and AC Inputs – Solid-State Relay

- 15, 25, 40A @ 50-240 VAC Outputs
- 4 to 32 VDC and 85 to 240 VAC Input
- LED Operation Indicator (SD Only)
- Compatible Heat Sinks

**HEAT SINK INFORMATION:** To achieve the rated output current loads for all ATC solid-state relays, they must be mounted to a heat sink.

### WIRING

SDA1, SAA1



MODEL	A	B	C	D	E	F
NO118(1)-60	60	90	100	60	N/A	48
NO118(2)-200	60	90	100	200	97	N/A

### ORDERING INFORMATION

MODEL NUMBER	UL RECOGNIZED	INPUT VOLTAGE	OUTPUT VOLTAGE	OUTPUT AMPS	PHASE
SDA1-215Z	Yes	4-32 VDC	50-240 VAC	15	Single
SDA1-225Z	Yes	4-32 VDC	50-240 VAC	25	Single
SDA1-240Z	Yes	4-32 VDC	50-240 VAC	40	Single
SAA1-215Z	Yes	85-240 VAC	50-240 VAC	15	Single
SAA1-225Z	No	85-240 VAC	50-240 VAC	25	Single
SAA1-240Z	No	85-240 VAC	50-240 VAC	40	Single
SDA3-240Z	No	4-15 VDC	50-240 VAC	40	Three
SDA3-440Z	No	4-15 VDC	50-460 VAC	40	Three
NO118 (1)-60	No	Heat Sink for SDA1 and SAA1 Models			
NO118 (2)-200	Yes	Heat Sink for SDA3 Models			
Other Relays and Heat Sinks Available, Consult Factory.					

### SPECIFICATIONS

<b>CONTROL VOLTAGE</b>	DC Models (SDA) 4—32 VDC AC Models (SAA) 85—240 VAC
<b>PICK UP VOLTAGE</b>	SDA Models, 4V Max SAA Models, 85V Max.
<b>DROP OUT VOLTAGE</b>	SDA Models, 1V Min. SAA Models, 40V Min.
<b>PEAK REPETITIVE OUTPUT VOLTAGE</b>	600 Vrms Max.
<b>OFF STATE LEAKAGE CURRENT</b>	10mA Max.
<b>ON STATE VOLTAGE DROP</b>	1,5 Vrms Max.
<b>DIELECTRIC STRENGTH</b>	2500 Vrms, 1 Min. (Input-Output-Case)
<b>ISOLATION RESISTANCE</b>	100 MΩ/DC 500 V (Input-Output-Case)
<b>RESPONSE TIME</b>	1/2 Cycle + 1 mS Max.
<b>TEMPERATURE</b>	Operate -20° to +80°C Storage -30° to +100°C
<b>AGENCY APPROVALS</b>	SDA1 Models Only: Underwriters Lab's UR File No. E165828
<b>WEIGHT</b>	2 oz.

### DIMENSIONS (MILLIMETERS)

