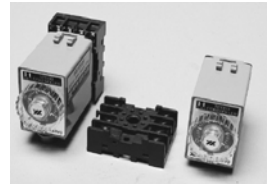
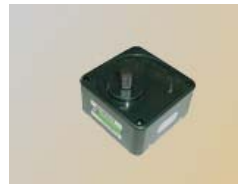


REVERSIBLE MOTOR

NEW H-SERIES



REVERSIBLE MOTOR

LEAD WIRE TYPE

60□ 6W

H-EX **II** Series
RH 1PHASE 4 POLE

■ PERFORMANCE DATA (DUTY : 30 Min.)

MOTOR TYPE	OUTPUT (W)	VOLTAGE (V)	FREQUENCY (Hz)	RATING				STARTING TORQUE (gf · cm)	CONDENSER	
				INPUT (W)	CURRENT (mA)	TORQUE (gf · cm)	SPEED (rpm)		(V)	(μF)
RH6PF6-10	6	1 ∅ 100	50	30	300	500	1200	500	250	4.0
			60	30	300	400	1500	500		
RH6PF6-11	6	1 ∅ 110	50	30	160	500	1200	500	450	1.0
			60	30	160	400	1500	500		
RH6PF6-20	6	1 ∅ 200	50	30	300	500	1200	500	250	4.0
			60	30	300	400	1500	500		
RH6PF6-22	6	1 ∅ 220	50	30	160	500	1200	500	450	1.0
			60	30	160	400	1500	500		
RH6PF6-1U	6	1 ∅ 100	50	30	300	500	1200	500	250	4.0
			60	30	300	400	1500	500		
RH6PF6-2C	5	1 ∅ 240	50	30	150	400	1200	600	450	0.8
	6		50	32	160	500	1200	700		

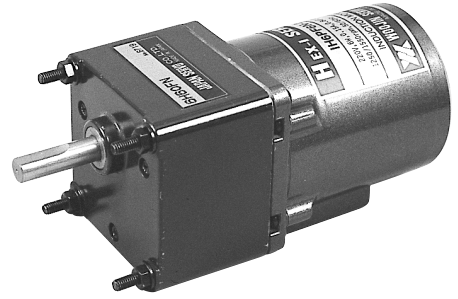
- MOTOR TYPE은 GEAR HEAD直結用인 PINION軸으로 表示하였습니다. STRAIGHT軸의 MOTOR를 希望하시면 形式名의 PF를 S로 바꾸어 注文하십시오.
- 表示한 MOTOR는 UL 또는 CE規格을 適用한 IP(IMPEDANCE PROTECT) TYPE입니다.
- CONDENSER의 外形은 PAGE F-1을 参照하십시오.
- For motor with straight shaft, please write S in place of PF in MOTOR TYPE.
- MOTOR TYPE in gray screen represents the motors with IMPEDANCE PROTECTION according to UL or CE regulation.
- For outline dimension of condenser, refer to Page F-1.

■ RATED TORQUE OF GEARED MOTOR

(unit : kg · cm) WITH DECIMAL GEAR

SPEED OF GEARED MOTOR rpm	(unit : kg · cm)															
	500	300	200	120	100	60	50	30	20	15	10	6	5	2	1.5	1
GEAR RATIO 50Hz	3	5	7.5	12.5	15	25	30	50	75	100	150	250	300	500	750	1500
GEAR RATIO 60Hz	3.6	6	9	15	18	30	36	60	90	120	180	300	360	600	900	1800
RH6PF6 + 6H □ FM + 6H10X	1.2	2.1	3.0	5.0	6.0	9.7	12	19	25	25	25	20	20	20	25	25
IH6PF6 + 6H □ FB + 6H10X	1.2	2.1	3.0	5.0	6.0	9.5	12	19	25	25	25	20	20	20	25	25

- 表示한 減速比의 GEAR HEAD는 出力軸의 回轉方向이 MOTOR軸의 回轉方向과 反對로 됩니다.
- SPEED(回轉數)는 MOTOR의 回轉數(50Hz에서 1500rpm, 60Hz에서 1800rpm)를 基準하여 算出 하였습니다. 實使用時의 回轉數는 負荷의 크기에 따라 위의 表보다 2~15% 작게 됩니다.
- □에는 減速比를 指定하여 주십시오. GEAR HEAD는 別途로 販賣됩니다.
- The rotation of geared motor in gray screen is reverse of motor rotation.
- SPEED OF GEARED MOTOR is based on motor synchronous speed. In normal operation, the speed will be 2 to 15 percent lower than above figure.
- When ordering gear head, please fill the blank □ with gear ratio.



■ OUTLINE DIMENSION

Fig.1 MOTOR (STRAIGHT SHAFT) RH6S6 WT 1.0 kg

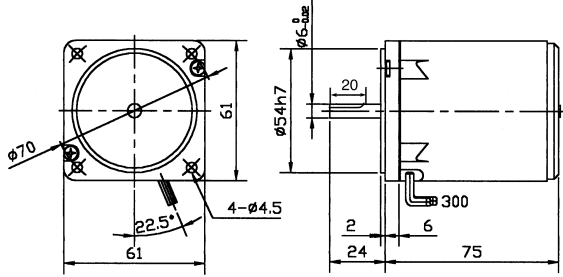
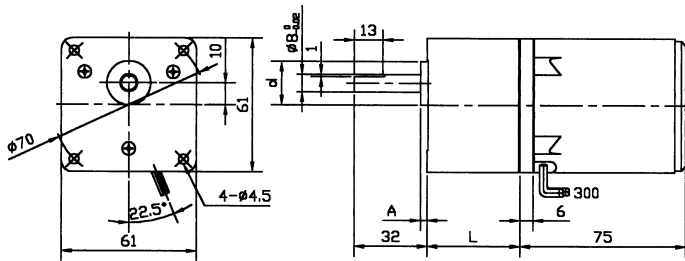


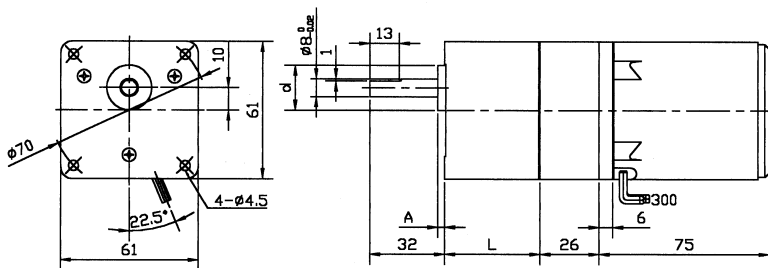
Fig.2 GEARED MOTOR RH6PF6 + 6H □ FM (6H □ FB) WT 1.0 + 0.4 kg



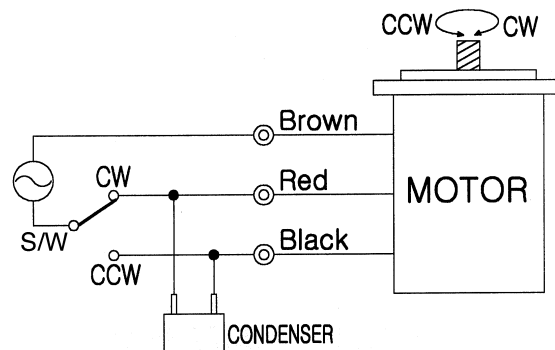
L, A, d, 重量, BOLT

TYPE	減速比	L mm	A mm	d mm	重量 Kg	BOLT
6H □ FM	1/3~1/18	30	3	20	0.3	M4×50
6H □ FB	1/25~1/18	40	3	20	0.4	M4×60

Fig.3 GEARED MOTOR WITH DECIMAL GEAR (中間 GEAR 使用時) WT 1.0 + 0.4 + 0.17 kg
RH6PF6 + 6H10X + 6H □ FM (6H □ FB)



■ WIRING DIAGRAM



· The direction of rotation is seen from the end of motor shaft.

REVERSIBLE MOTOR

LEAD WIRE TYPE

70□ 15w

H-EX **II** Series
RH 1PHASE 4 POLE

■ PERFORMANCE DATA (DUTY : 30 Min.)

MOTOR TYPE	OUTPUT (W)	VOLTAGE (V)	FREQUENCY (Hz)	RATING				STARTING TORQUE (gf · cm)	CONDENSER	
				INPUT (W)	CURRENT (mA)	TORQUE (gf · cm)	SPEED (rpm)		(V)	(μF)
RH7PF15-10	15	1 ∅ 100	50	45	450	1150	1200	720	250	6.0
			60	45	450	950	1500	720		
RH7PF15-11		1 ∅ 110	60	45	450	950	1500	720	250	5.0
RH7PF15-20	15	1 ∅ 200	50	45	230	1150	1200	720	450	1.5
			60	45	230	950	1500	720		
RH7PF15-22		1 ∅ 220	60	45	230	950	1500	720	450	1.2
RH7PF15-1U	15	1 ∅ 100	50	45	450	1150	1200	720	250	6.0
			60	45	450	950	1500	720		
		1 ∅ 115	60	45	450	950	1500	650	250	4.0
RH7PF15-2C	12	1 ∅ 220	50	45	230	1000	1200	720	450	1.2
	15	1 ∅ 240	50	52	250	1200	1200	900		

- MOTOR TYPE은 GEAR HEAD直結用인 PINION軸으로 表示하였습니다. STRAIGHT軸의 MOTOR를 希望하시면 形式名의 PF를 S로 바꾸어 注文하십시오.
- 表示한 MOTOR는 UL 또는 CE規格을 適用한 TP(THERMAL PROTECT) TYPE입니다.
- CONDENSER의 外形은 PAGE F-1을 参照하십시오.
- For motor with straight shaft, please write S in place of PF in MOTOR TYPE.
- MOTOR TYPE in gray screen represents the motors with THERMAL PROTECTION according to UL or CE regulation.
- For outline dimension of condenser, refer to Page F-1.

■ RATED TORQUE OF GEARED MOTOR

(unit : kg · cm) WITH DECIMAL GEAR

SPEED OF GEARED MOTOR rpm	WITH DECIMAL GEAR															
	500	300	200	120	100	60	50	30	20	15	10	6	5	2	1.5	1
50Hz	3	5	7.5	12.5	15	25	30	50	75	100	150	250	300	500	750	1500
60Hz	3.6	6	9	15	18	30	36	60	90	120	180	300	360	600	900	1800
RH7PF15 + 7H □ FM + 7H10X	2.8	4.4	7.0	11	12	20	24	36	50	50	50	50	50	50	50	50
RH7PF15 + 7H □ FB + 7H10X	2.8	4.4	7.0	11	12	20	24	36	50	50	50	50	50	50	50	50

- 表示한 減速比의 GEAR HEAD는 出力軸의 回轉方向이 MOTOR軸의 回轉方向과 反對로 됩니다.
- SPEED(回轉數)는 MOTOR의 回轉數 (50Hz에서 1500rpm, 60Hz에서 1800rpm)를 基準하여 算出하였습니다. 實使用時의 回轉數는 負荷의 크기에 따라 위의 表보다 2~15% 작게 됩니다.
- □에는 減速比를 指定하여 주십시오. GEAR HEAD는 別途로 販賣됩니다.
- The rotation of geared motor in gray screen is reverse of motor rotation.
- SPEED OF GEARED MOTOR is based on motor synchronous speed. In normal operation, the speed will be 2 to 15 percent lower than above figure.
- When ordering gear head, please fill the blank □ with gear ratio.



■ OUTLINE DIMENSION

Fig.1 MOTOR (STRAIGHT SHAFT) RH7S15 WT 1.2 kg

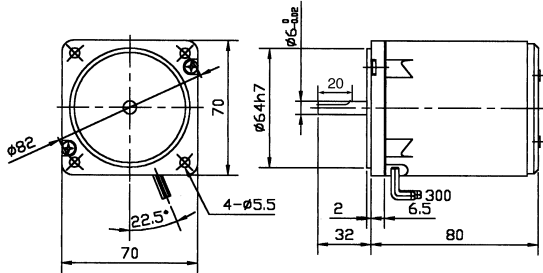


Fig.2 GEARED MOTOR RH7PF15 + 7H □ FM (7H □ FB) WT 1.2 + 0.5/0.6 kg

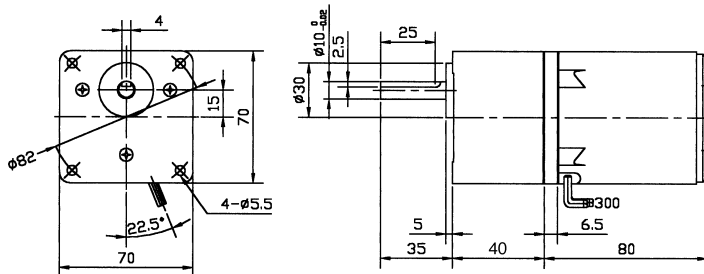
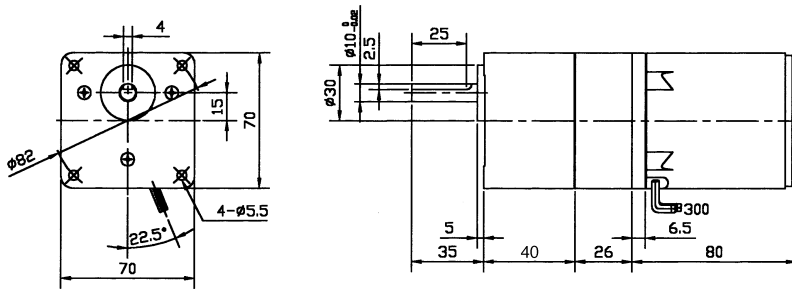


Fig.3 GEARED MOTOR WITH DECIMAL GEAR (中間 GEAR 使用時) WT 1.2 + 0.5/0.6 + 0.25 kg
RH7PF15 + 7H10X + 7H □ FM (7H □ FB)

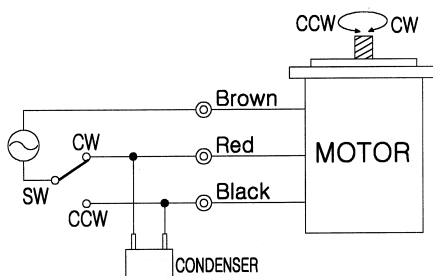


L, 重量, BOLT

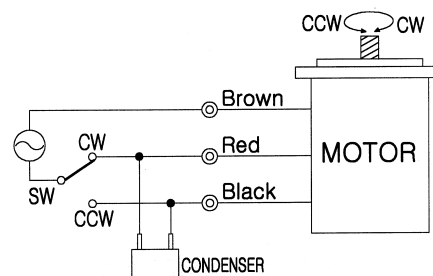
TYPE	減速比	L mm	重量 Kg	BOLT
7H □ FM	1/3~1/18	30	0.5	M5×50
7H □ FB	1/25~1/180	40	0.6	M6×60

■ WIRING DIAGRAM

STANDARD



WITH TP (THERMAL PROTECTOR)



· The direction of rotation is seen from the end of motor shaft.

REVERSIBLE MOTOR

LEAD WIRE TYPE

80□ **20W**

H-EX **II** Series
RH 1PHASE 4 POLE

■ PERFORMANCE DATA (DUTY : 30 MIN.)

MOTOR TYPE	OUTPUT (W)	VOLTAGE (V)	FREQUENCY (Hz)	RATING				STARTING TORQUE (gf · cm)	CONDENSER	
				INPUT (W)	CURRENT (mA)	TORQUE (gf · cm)	SPEED (rpm)		(V)	(μF)
RH8P20-1 RH8PF20-1	20	1 ϕ 100	50	50	500	1500	1250	1040	220	8.0
			60	50	500	1170	1550	1040		
RH8P20-2 RH8PF20-2	20	1 ϕ 200	50	50	250	1500	1250	1040	400	2.0
			60	50	250	1170	1550	1040		
RH8PF20-1U	20	1 ϕ 100	50	50	500	1500	1250	1040	220	8.0
			60	50	500	1170	1550	1040		
RH8PF20-2C	20	1 ϕ 220	50	55	250	1500	1250	850	400	1.5
			50	55	250	1600	1250	950		

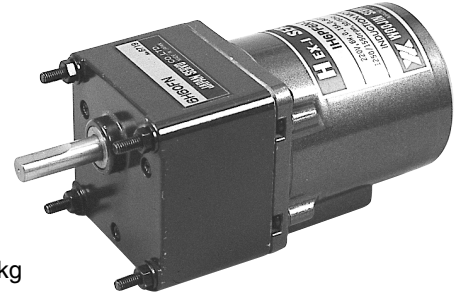
- MOTOR TYPE은 GEAR HEAD直結用인 PINION軸으로 表示하였습니다. STRAIGHT軸의 MOTOR를 希望하시면 形式名의 PF를 S로 바꾸어 注文하십시오.
- 表示한 MOTOR는 UL 또는 CE規格을 適用한 TP(THERMAL PROTECT) TYPE입니다.
- CONDENSER의 外形은 PAGE F-1을 参照하십시오.
- For motor with straight shaft, please write S in place of PF in MOTOR TYPE.
- MOTOR TYPE in gray screen represents the motors with THERMAL PROTECTION according to UL or CE regulation.
- For outline dimension of condenser, refer to Page F-1.

■ RATED TORQUE OF GEARED MOTOR

(unit : kg · cm)

SPEED OF GEARED MOTOR	rpm	500	300	200	120	100	60	50	30	20	15	10	6	5	2	1.5	1
GEAR RATIO	50Hz	3	5	7.5	12.5	15	25	30	50	75	100	150	250	300	500	750	1500
	60Hz	3.6	6	9	15	18	30	36	60	90	120	180	300	360	600	900	1800
RH8PF20 + 8H □ N		3.6	6.0	9.1	15	18	27	32	40	40	40	40	40	40	40	40	40
RH8PF20 + 8H □ FM+ 8H10X RH8PF20 + 8H □ FB + 8H10X		3.6	6.0	9.1	15	18	27	32	49	74	98	100	100 ^D	100 ^D	100 ^D	100 ^D	100 ^D

- 表示한 減速比의 GEAR HEAD는 出力軸의 回轉方向이 MOTOR軸의 回轉方向과 反對로 됩니다.
- SPEED(回轉數)는 MOTOR의 回轉數(50Hz에서 1500rpm, 60Hz에서 1800rpm)를 基準하여 算出하였습니다. 實使用時의 回轉數는 負荷의 크기에 따라 위의 表보다 2~15% 작게 됩니다.
- □에는 減速比를 指定하여 주십시오. GEAR HEAD는 別途로 販賣됩니다.
- The rotation of geared motor in gray screen is reverse of motor rotation.
- SPEED OF GEARED MOTOR is based on motor synchronous speed. In normal operation, the speed will be 2 to 15 percent lower than above figure.
- When ordering gear head, please fill the blank □ with gear ratio.
- The suffix D in RATED TORQUE (for ex. 100) means the usage of DECIMAL GEAR.



■ OUTLINE DIMENSION

Fig.1 MOTOR (STRAIGHT SHAFT) RH8S20 WT 1.5 kg

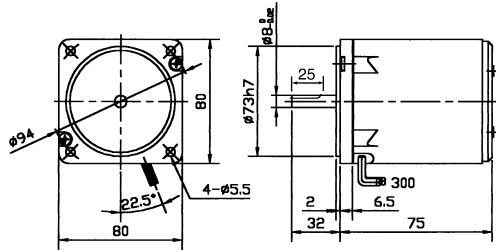
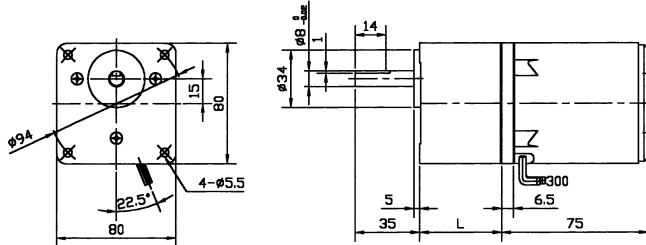


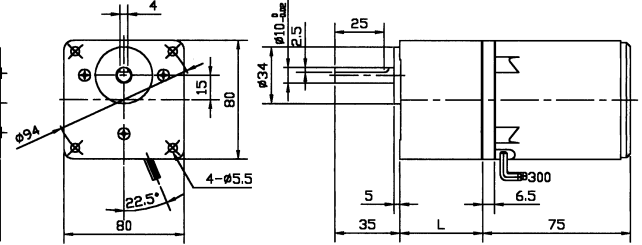
Fig.2 GEARED MOTOR WT 1.5 + 0.5/0.6 kg
RH8P20 + 8H □ N



L, 重量, BOLT

TYPE	減速比	L mm	重量 Kg	BOLT
8H □ N	1/3-1/180	30	0.5	M5 × 60
	1/250-1/1800	40	0.6	M5 × 70

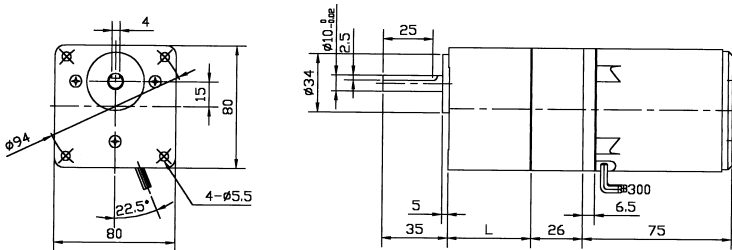
RH8PF20 + 8H □ FM(8H □ FB)



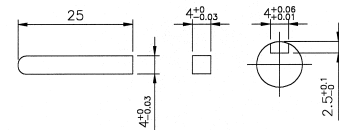
L, 重量, BOLT

TYPE	減速比	L mm	重量 Kg	BOLT
8H □ FM	1/3-1/18	32	0.5	M5 × 60
8H □ FB	1/25-1/180	42	0.6	M5 × 70

Fig.3 GEARED MOTOR WITH DECIMAL GEAR (中間 GEAR 使用時)
RH8PF20 + 8H10X + 8H □ FM(8H □ FB) WT 1.5 + 0.5/0.6 + 0.3 kg

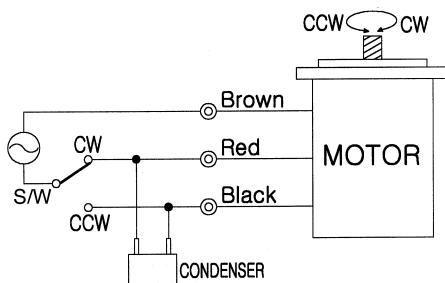


KEY SIZE (mm)

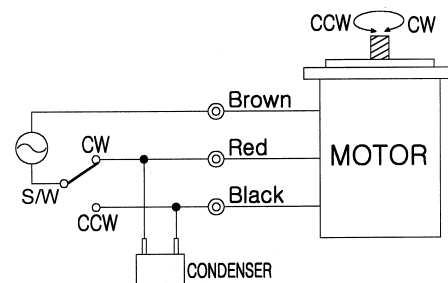


■ WIRING DIAGRAM

STANDARD



WITH TP(THERMAL PROTECTOR)



· The direction of rotation is seen from the end of motor shaft.

REVERSIBLE MOTOR

LEAD WIRE TYPE

80□ 25W

H-EX **II** Series
RH 1PHASE 4 POLE

■ PERFORMANCE DATA (DUTY : 30 Min.)

MOTOR TYPE	OUTPUT (W)	VOLTAGE (V)	FREQUENCY (Hz)	RATING				STARTING TORQUE (gf · cm)	CONDENSER	
				INPUT (W)	CURRENT (mA)	TORQUE (gf · cm)	SPEED (rpm)		(V)	(μF)
RH8PF25-10	25	1 ϕ 100	50	65	650	1800	1300	1280	250	10.0
			60	65	650	1370	1600	1280		
RH8PF25-11		1 ϕ 110	60	65	650	1370	1600	1280	250	8.0
RH8PF25-20	25	1 ϕ 200	50	65	330	1800	1300	1280	450	2.5
			60	65	330	1370	1600	1280		
RH8PF25-22		1 ϕ 220	60	65	330	1370	1600	1280	450	2.0
RH8PF25-1U	25	1 ϕ 100	50	65	650	1800	1300	1280	250	10.0
			60	65	650	1370	1600	1280		
			1 ϕ 115	60	65	650	1800	1600		
RH8PF25-2C	20	1 ϕ 220	50	60	300	1600	1250	1050	450	1.5
	25	1 ϕ 240	50	70	350	2000	1250	1250		

- MOTOR TYPE은 GEAR HEAD直結用인 PINION軸으로 表示하였습니다. STRAIGHT軸의 MOTOR를 希望하시면 形式名의 PF를 S로 바꾸어 注文하십시오.
- 表示한 MOTOR는 UL 또는 CE規格을 適用한 TP(THERMAL PROTECT) TYPE입니다.
- CONDENSER의 外形은 PAGE F-1을 参照하십시오.
- For motor with straight shaft, please write S in place of PF in MOTOR TYPE.
- MOTOR TYPE in gray screen represents the motors with THERMAL PROTECTION according to UL or CE regulation.
- For outline dimension of condenser, refer to Page F-1.

■ RATED TORQUE OF GEARED MOTOR

(unit : kg · cm) WITH DECIMAL GEAR

SPEED OF GEARED MOTOR rpm	WITH DECIMAL GEAR																
	500	300	200	120	100	60	50	30	20	15	10	6	5	2	1.5	1	
GEAR RATIO	50Hz	3	5	7.5	12.5	15	25	30	50	75	100	150	250	300	500	750	1500
	60Hz	3.6	6	9	15	18	30	36	60	90	120	180	300	360	600	900	1800
RH8PF25 + 8H □ FM + 8H10X	4.4	7.2	11	18	21	32	39	59	88	100	100	100	100	100	100	100	100
IH8PF25 + 8H □ FB + 8H10X	4.4	7.2	11	18	21	32	39	59	88	100	100	100	100	100	100	100	100

- 表示한 減速比의 GEAR HEAD는 出力軸의 回轉方向이 MOTOR軸의 回轉方向과 反對로 됩니다.
- SPEED(回轉數)는 MOTOR의 回轉數 (50Hz에서 1500rpm, 60Hz에서 1800rpm)를 基準하여 算出하였습니다. 實使用時의 回轉數는 負荷의 크기에 따라 위의 表보다 2~15% 작게 됩니다.
- □에는 減速比를 指定하여 주십시오. GEAR HEAD는 別途로 販賣됩니다.
- The rotation of geared motor in gray screen is reverse of motor rotation.
- SPEED OF GEARED MOTOR is based on motor synchronous speed. In normal operation, the speed will be 2 to 15 percent lower than above figure.
- When ordering gear head, please fill the blank □ with gear ratio.



■ OUTLINE DIMENSION

Fig.1 MOTOR (STRAIGHT SHAFT) RH8S25 WT 1.6 kg

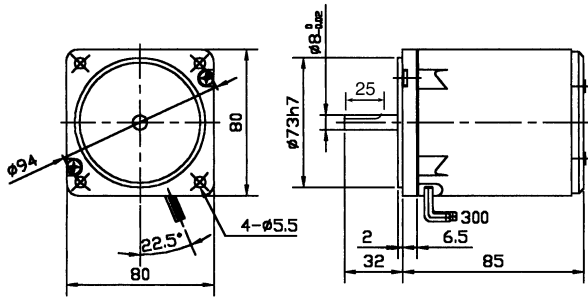
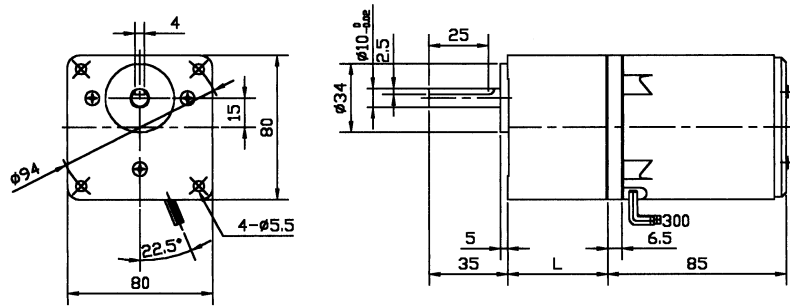


Fig.2 GEARED MOTOR

RH8PF25 + 8H □ FM(8H □ FB) WT 1.6 + 0.5/0.6 kg



L, 重量, BOLT

TYPE	減速比	L mm	重量 Kg	BOLT
8H □ FM	1/3-1/18	32	0.5	M5 × 60
8H □ FB	1/25-1/180	42	0.6	M5 × 70

KEY SIZE (mm)

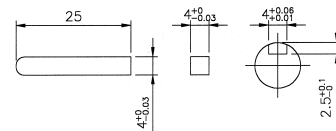
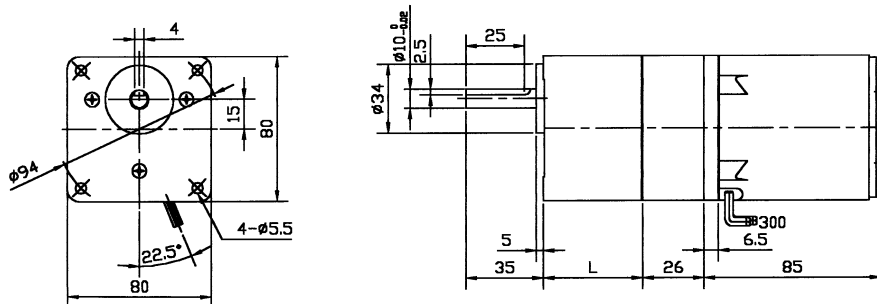


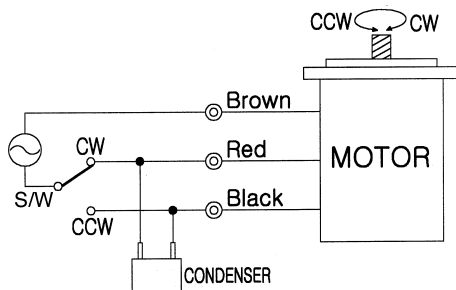
Fig.3 GEARED MOTOR WITH DECIMAL GEAR (中間 GEAR 使用時)

RH8PF25 + 8H10X + 8H □ FM (8H □ FB) WT 1.6 + 0.5/0.6 + 0.3 kg

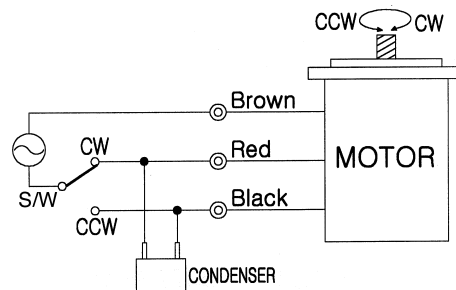


■ WIRING DIAGRAM

STANDARD



WITH TP(THERMAL PROTECTOR)



· The direction of rotation is seen from the end of motor shaft.

REVERSIBLE MOTOR

LEAD WIRE TYPE

80□ 40W

H-EX **II** Series
RH 1PHASE 4 POLE

■ PERFORMANCE DATA (DUTY : 30 Min.)

MOTOR TYPE	OUTPUT (W)	VOLTAGE (V)	FREQUENCY (Hz)	RATING				STARTING TORQUE (gf · cm)	CONDENSER	
				INPUT (W)	CURRENT (mA)	TORQUE (gf · cm)	SPEED (rpm)		(V)	(μF)
RH8PF40-10	40	1 ∅ 100	50	115	1150	3200	1200	2600	220	16.0
			60	115	1150	2600	1500	2600		
RH8PF40-11		1 ∅ 110	60	115	1150	2600	1500	2600	220	12.0
RH8PF40-20	40	1 ∅ 200	50	115	600	3200	1200	2600	400	4.0
			60	115	600	2600	1500	2600		
RH8PF40-22		1 ∅ 220	60	115	600	2600	1500	2600	400	3.5
RH8PF40-1U	40	1 ∅ 100	50	115	1150	3200	1200	2600	220	16.0
			60	115	1150	2600	1500	2600		
RH8PF40-11U	40	1 ∅ 115	60	115	1150	2600	1500	2300	220	12.0
RH8PF40-2C	40	1 ∅ 220	50	115	600	3200	1200	2600	400	3.5
		1 ∅ 240	50	115	600	3400	-	2800		

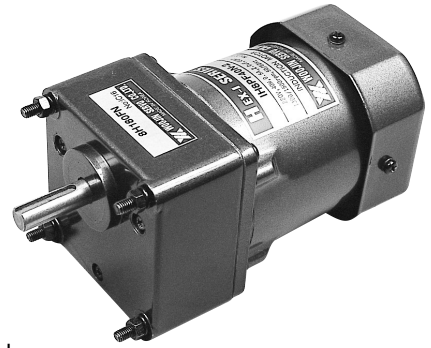
- MOTOR TYPE은 GEAR HEAD直結用인 PINION軸으로 表示하였습니다. STRAIGHT軸의 MOTOR를 希望하시면 形式名의 PF를 S로 바꾸어 注文하십시오.
- 表示한 MOTOR는 UL 또는 CE規格을 適用한 TP(THERMAL PROTECT) TYPE입니다.
- CONDENSER의 外形은 PAGE F-1을 参照하십시오.
- For motor with straight shaft, please write S in place of PF in MOTOR TYPE.
- MOTOR TYPE in gray screen represents the motors with THERMAL PROTECTION according to UL or CE regulation.
- For outline dimension of condenser, refer to Page F-1.

■ RATED TORQUE OF GEARED MOTOR

(unit : kg · cm) WITH DECIMAL GEAR

SPEED OF GEARED MOTOR rpm	WITH DECIMAL GEAR															
	500	300	200	120	100	60	50	30	20	15	10	6	5	2	1.5	1
50Hz	3	5	7.5	12.5	15	25	30	50	75	100	150	250	300	500	750	1500
60Hz	3.6	6	9	15	18	30	36	60	90	120	180	300	360	600	900	1800
RH8PF40 + 8H □ FM + 8H10X	7.8	12	19	31	37	62	74	100	100	100	100	100	100	100	100	100
RH8PF40 + 8H □ FB + 8H10X	7.8	12	19	31	37	62	74	100	100	100	100	100	100	100	100	100

- 表示한 減速比의 GEAR HEAD는 出力軸의 回轉方向이 MOTOR軸의 回轉方向과 反對로 됩니다.
- SPEED(回轉數)는 MOTOR의 回轉數 (50Hz에서 1500rpm, 60Hz에서 1800rpm)를 基準하여 算出하였습니다. 實使用時의 回轉數는 負荷의 크기에 따라 위의 表보다 2~15% 작게 됩니다.
- □에는 減速比를 指定하여 주십시오. GEAR HEAD는 別途로 販賣됩니다.
- The rotation of geared motor in gray screen is reverse of motor rotation.
- SPEED OF GEARED MOTOR is based on motor synchronous speed. In normal operation, the speed will be 2 to 15 percent lower than above figure.
- When ordering gear head, please fill the blank □ with gear ratio.



■ OUTLINE DIMENSION

Fig.1 MOTOR (STRAIGHT SHAFT) RH8S40 WT 1.7 kg

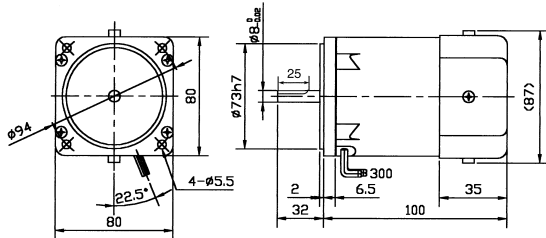
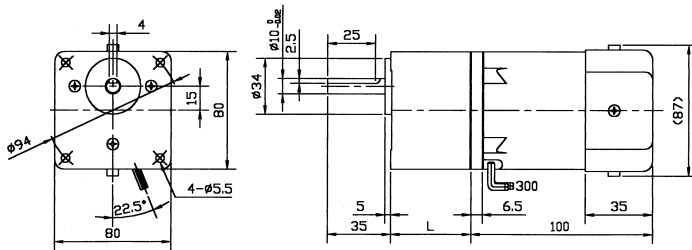


Fig.2 GEARED MOTOR

RH8PF40 + 8H □ FM(8H □ FB) WT 1.7 + 0.5/0.6 kg

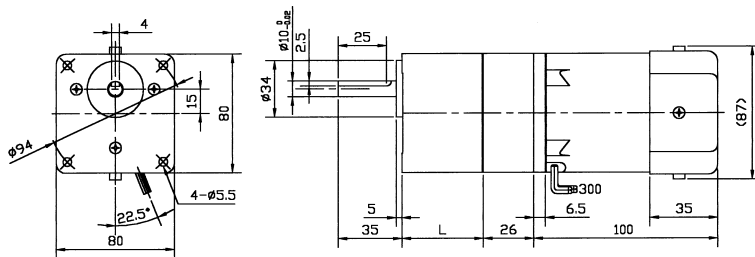


L, 重量, BOLT

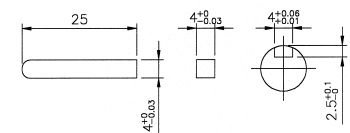
TYPE	減速比	L mm	重量 Kg	BOLT
8H □ FM	1/3-1/18	32	0.5	M5×60
8H □ FB	1/25-1/180	42	0.6	M5×70

Fig.3 GEARED MOTOR WITH DECIMAL GEAR (中間 GEAR 使用時)

RH8PF40 + 8H10X + 8H □ FM(8H □ FB) WT 1.7 +0.5/0.6 + 0.3 kg

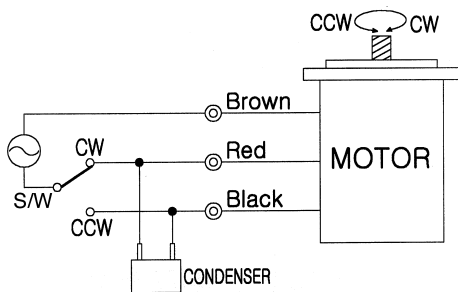


KEY SIZE (mm)

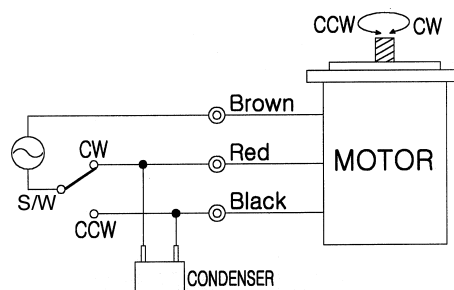


■ WIRING DIAGRAM

STANDARD



WITH TP(THERMAL PROTECTOR)



· The direction of rotation is seen from the end of motor shaft.

REVERSIBLE MOTOR

LEAD WIRE TYPE

90° 40W

H-EX **II** Series
RH 1PHASE 4 POLE

■ PERFORMANCE DATA (DUTY : 30 Min.)

MOTOR TYPE	OUTPUT (W)	VOLTAGE (V)	FREQUENCY (Hz)	RATING				STARTING TORQUE (gf · cm)	CONDENSER	
				INPUT (W)	CURRENT (mA)	TORQUE (gf · cm)	SPEED (rpm)		(V)	(μF)
RH9PF40-10	40	1 ϕ 100	50	115	1150	3200	1200	2600	250	16.0
RH9PF40-11			60	115	1150	2600	1500	2600		
RH9PF40-20	40	1 ϕ 200	50	115	600	3200	1200	2600	450	4.0
RH9PF40-22			60	115	600	2600	1500	2600		
RH9PF40-1U	40	1 ϕ 100	50	115	1150	3200	1200	2600	250	16.0
			60	115	1150	2600	1500	2600		
RH9PF40-2C	40	1 ϕ 220	50	95	450	2600	1250	2600	450	3.0
		1 ϕ 240	50	110	500	3200	1250	3200		

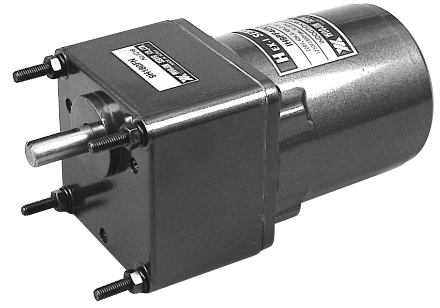
- MOTOR TYPE은 GEAR HEAD直結用인 PINION軸으로 表示하였습니다. STRAIGHT軸의 MOTOR를 希望하시면 形式名의 PF를 S로 바꾸어 注文하십시오.
- 表示한 MOTOR는 UL 또는 CE規格을 適用한 TP(THERMAL PROTECT) TYPE입니다.
- CONDENSER의 外形은 PAGE F-1을 参照하십시오.
- For motor with straight shaft, please write S in place of PF in MOTOR TYPE.
- MOTOR TYPE in gray screen represents the motors with THERMAL PROTECTION according to UL or CE regulation.
- For outline dimension of condenser, refer to Page F-1.

■ RATED TORQUE OF GEARED MOTOR

(unit : kg · cm) WITH DECIMAL GEAR

SPEED OF GEARED MOTOR rpm	(unit : kg · cm)																
	500	300	200	120	100	60	50	30	20	15	10	6	5	2	1.5	1	
GEAR RATIO	50Hz	3	5	7.5	12.5	15	25	30	50	75	100	150	250	300	500	750	1500
	60Hz	3.6	6	9	15	18	30	36	60	90	120	180	300	360	600	900	1800
RH9PF40 + 9H □ FM + 9H10X	7.8	12	19	31	37	62	74	100	100	100	100	100	100	100	100	100	100
RH9PF40 + 9H □ FB + 9H10X	7.8	12	19	31	37	62	74	100	100	100	100	100	100	100	100	100	100

- 表示한 減速比의 GEAR HEAD는 出力軸의 回轉方向이 MOTOR軸의 回轉方向과 反對로 됩니다.
- SPEED(回轉數)는 MOTOR의 回轉數 (50Hz에서 1500rpm, 60Hz에서 1800rpm)를 基準하여 算出하였습니다. 實使用時의 回轉數는 負荷의 크기에 따라 위의 表보다 2~15% 작게 됩니다.
- □에는 減速比를 指定하여 주십시오. GEAR HEAD는 別途로 販賣됩니다.
- The rotation of geared motor in gray screen is reverse of motor rotation.
- SPEED OF GEARED MOTOR is based on motor synchronous speed. In normal operation, the speed will be 2 to 15 percent lower than above figure.
- When ordering gear head, please fill the blank □ with gear ratio.



OUTLINE DIMENSION

Fig.1 MOTOR (STRAIGHT SHAFT) RH9S40 WT 2.5 kg

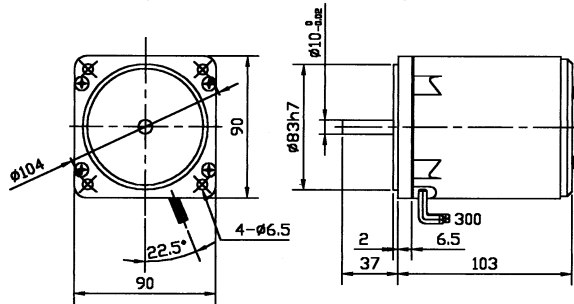
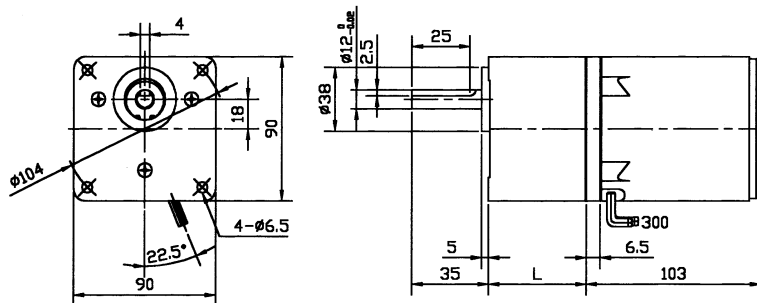


Fig.2 GEARED MOTOR

RH9PF40 + 9H □ FM(9H □ FB) WT 2.5 + 0.8/0.9 kg

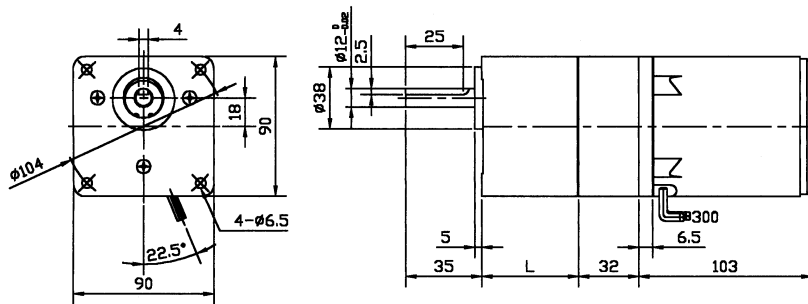


L, 重量, BOLT

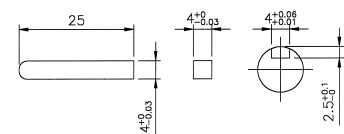
TYPE	減速比	L mm	重量 Kg	BOLT
9H □ FM	1/3~1/18	42	0.8	M6×70
9H □ FB	1/25~1/180	60	0.9	M6×90

Fig.3 GEARED MOTOR WITH DECIMAL GEAR (中間 GEAR 使用時)

RH9PF40 + 9H10X + 9H □ FM (9H □ FB) WT 2.5 + 0.8/0.9 + 0.6 kg

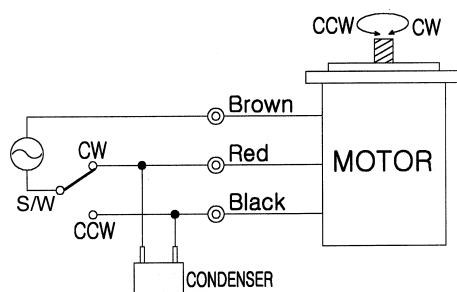


KEY SIZE (mm)

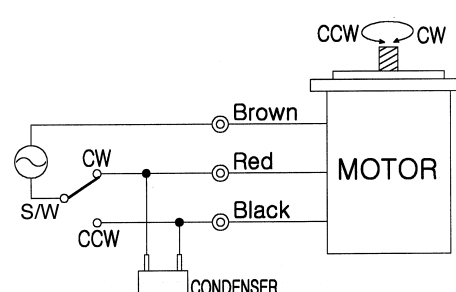


WIRING DIAGRAM

STANDARD



WITH TP(THERMAL PROTECTOR)



· The direction of rotation is seen from the end of motor shaft.

REVERSIBLE MOTOR

LEAD WIRE TYPE

90□ 60W

H-EX **II** Series
RH 1PHASE 4 POLE

■ PERFORMANCE DATA (DUTY : 30 MIN.)

MOTOR TYPE	OUTPUT (W)	VOLTAGE (V)	FREQUENCY (Hz)	RATING				STARTING TORQUE (gf · cm)	CONDENSER	
				INPUT (W)	CURRENT (mA)	TORQUE (gf · cm)	SPEED (rpm)		(V)	(μF)
RH9PF60-10 RH9P60-11	60	1 ∅ 100	50	180	1800	4500	1300	3500	250	25.0
			60	180	1800	3800	1600	3500		
RH9PF60-20 RH9P60-22	60	1 ∅ 200	50	180	1000	4500	1300	3300	450	6.0
			60	180	1000	3800	1600	3300		
RH9PF60-1U RH9PG60-1U	60	1 ∅ 100	50	180	1300	4500	1300	3000	250	25.0
			60	180	1300	3800	1600	3000		
RH9PF60-2C RH9PG60-2C	50	1 ∅ 240	50	130	600	4000	1200	3700	450	4.0
	60		50	145	650	4500	1200	4500		

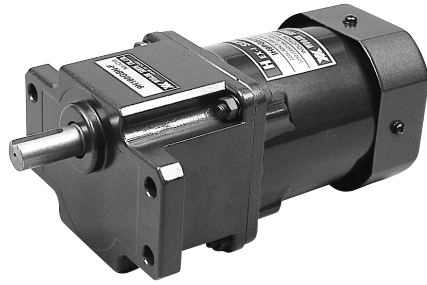
- MOTOR TYPE은 GEAR HEAD直結用인 PINION軸으로 表示하였습니다. STRAIGHT軸의 MOTOR를 希望하시면 形式名의 PF를 S로 바꾸어 注文하십시오.
- 表示한 MOTOR는 UL 또는 CE規格을 適用한 TP(THERMAL PROTECT) TYPE입니다.
- CONDENSER의 外形은 PAGE F-1을 參照하십시오.
- For motor with straight shaft, please write S in place of PF in MOTOR TYPE.
- MOTOR TYPE in gray screen represents the motors with THERMAL PROTECTION according to UL or CE regulation.
- For outline dimension of condenser, refer to Page F-1.

■ RATED TORQUE OF GEARED MOTOR

(unit : kg · cm) WITH DECIMAL GEAR

SPEED OF GEARED MOTOR rpm	WITH DECIMAL GEAR																
	500	300	200	120	100	60	50	30	20	15	10	6	5	2	1.5	1	
GEAR RATIO	50Hz	3	5	7.5	12.5	15	25	30	50	75	100	150	250	300	500	750	1500
	60Hz	3.6	6	9	15	18	30	36	60	90	120	180	300	360	600	900	1800
RH9PF60 + 9H □ FM + 9H10X RH9PF60 + 9H □ FB + 9H10X	11	18	27	41	45	54	78	95	100	100	100	100	100	100	100	100	
RH9PG60 + 9H □ GB	11	18	27	41	49	74	89	150	200	200	200	-	-	-	-	-	

- 表示한 減速比의 GEAR HEAD는 出力軸의 回轉方向이 MOTOR軸의 回轉方向과 反對로 됩니다.
- SPEED(回轉數)는 MOTOR의 回轉數(50Hz에서 1500rpm, 60Hz에서 1800rpm)를 基準하여 算出하였습니다. 實使用時의 回轉數는 負荷의 크기에 따라 위의 表보다 2~15% 작게 됩니다.
- □에는 減速比를 指定하여 주십시오. GEAR HEAD는 別途로 販賣됩니다.
- The rotation of geared motor in gray screen is reverse of motor rotation.
- SPEED OF GEARED MOTOR is based on motor synchronous speed. In normal operation, the speed will be 2 to 15 percent lower than above figure.
- When ordering gear head, please fill the blank □ with gear ratio.



■ OUTLINE DIMENSION

Fig.1 MOTOR (STRAIGHT SHAFT) RH9S60 WT 2.6 kg

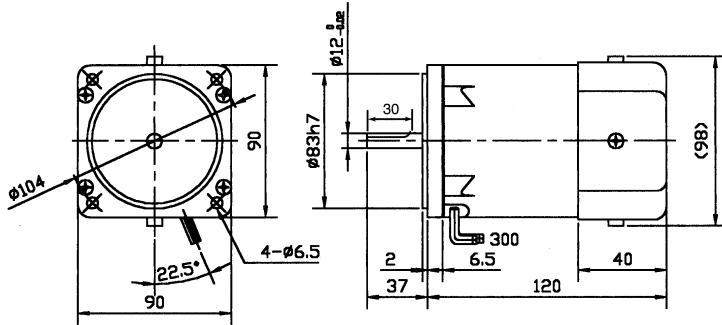
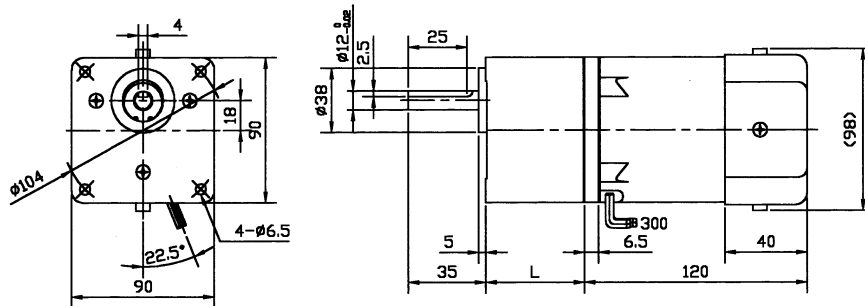


Fig.2 GEARED MOTOR

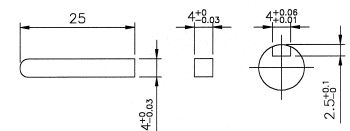
RH9PF60 + 9H □ FM (9H □ FB) WT 2.6+ 0.8/0.9 kg



L, 重量, BOLT

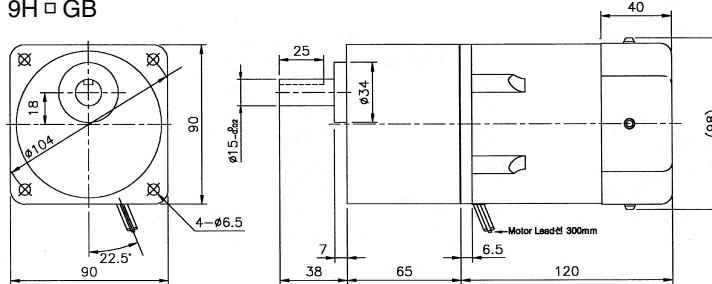
TYPE	減速比	L mm	重量 Kg	BOLT
9H □ FM	1/3-1/18	42	0.8	M6 × 70
9H □ FB	1/25-1/180	60	0.9	M6 × 90

KEY SIZE (mm)



RH9PG60 + 9H □ GB WT 2.6 kg + 1.5 kg

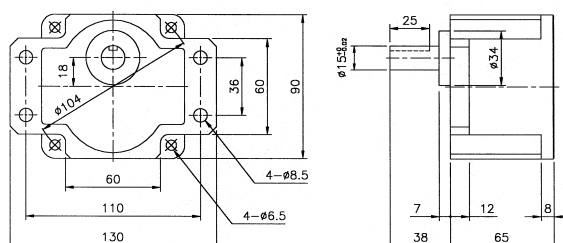
9H □ GB



BOLT

TYPE	BOLT
9H □ GB	M6 × 90
9H □ GB-F	M5 × 25

9H □ GB-F



KEY SIZE (mm)

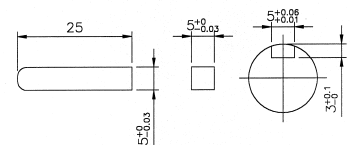
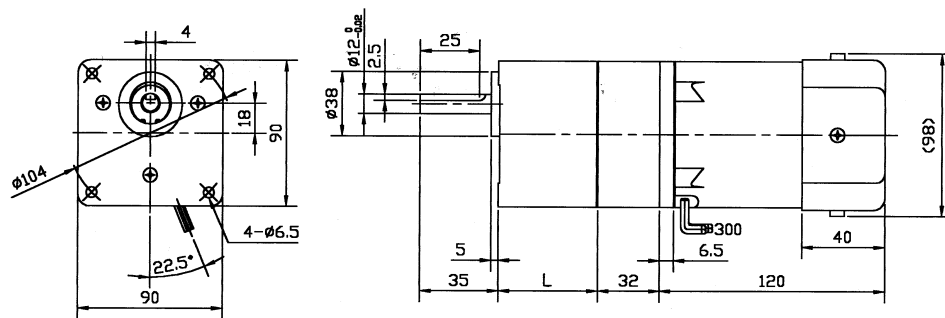
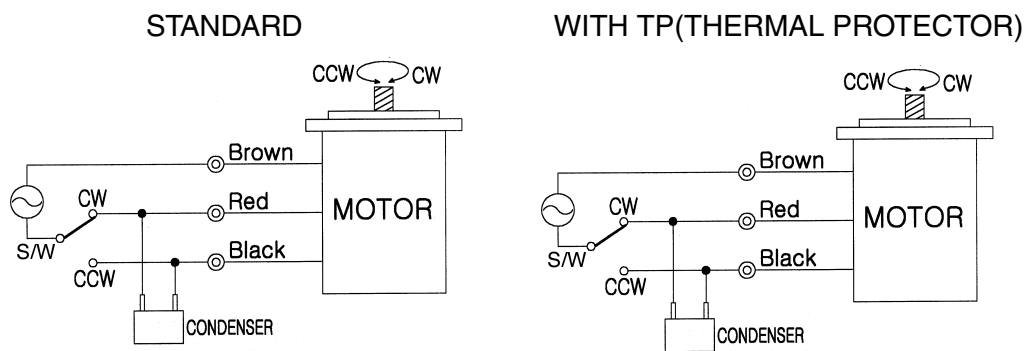


Fig.3 GEARED MOTOR WITH DECIMAL GEAR (中間 GEAR 使用時)
 RH9PF60 + 9H10X + 9H □ FM (9H □ FB) WT 2.6 + 0.8/0.9 + 0.6 kg



■ WIRING DIAGRAM



· The direction of rotation is seen from the end of motor shaft.

REVERSIBLE MOTOR

LEAD WIRE TYPE

90□ 90W

H-EX **||** Series
RH 1PHASE 4 POLE

■ PERFORMANCE DATA (DUTY : 30 MIN.)

MOTOR TYPE	OUTPUT (W)	VOLTAGE (V)	FREQUENCY (Hz)	RATING				STARTING TORQUE (gf · cm)	CONDENSER	
				INPUT (W)	CURRENT (mA)	TORQUE (gf · cm)	SPEED (rpm)		(V)	(μF)
RH9PF90-10	90	1 ∅ 100	50	250	2000	6800	1300	6300	250	30.0
RH9PG90-11			60	250	2100	5600	1550	5900		
RH9PF90-20	90	1 ∅ 200	50	250	1000	6800	1300	6300	450	7.0
RH9PG90-22			60	250	1100	5600	1550	5900		
RH9PF90-1U	90	1 ∅ 100	50	250	2000	6800	1300	6300	250	30.0
RH9PG90-1U			60	250	2100	5600	1550	5900		
RH9PF90-2C	80	1 ∅ 220	50	190	900	6500	1200	6000	450	6.0
RH9PG90-2C	90	1 ∅ 240	50	210	1000	7400	1200	7000		

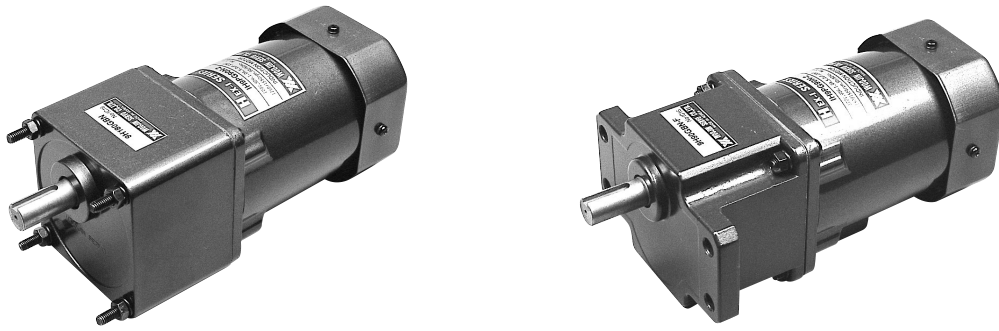
- MOTOR TYPE은 GEAR HEAD直結用인 PINION軸으로 表示하였습니다. STRAIGHT軸의 MOTOR를 希望하시면 形式名의 PF를 S로 바꾸어 注文하십시오.
- 表示한 MOTOR는 UL 또는 CE規格을 適用한 TP(THERMAL PROTECT) TYPE입니다.
- CONDENSER의 外形은 PAGE F-1을 参照하십시오.
- For motor with straight shaft, please write S in place of PF in MOTOR TYPE.
- MOTOR TYPE in gray screen represents the motors with THERMAL PROTECTION according to UL or CE regulation.
- For outline dimension of condenser, refer to Page F-1.

■ RATED TORQUE OF GEARED MOTOR

(unit : kg · cm) — WITH DECIMAL GEAR —

SPEED OF GEARED MOTOR rpm	(unit : kg · cm)															
	500	300	200	120	100	60	50	30	20	15	10	6	5	2	1.5	1
GEAR RATIO 50Hz	3	5	7.5	12.5	15	25	30	50	75	100	150	250	300	500	750	1500
GEAR RATIO 60Hz	3.6	6	9	15	18	30	36	60	90	120	180	300	360	600	900	1800
RH9PF90 + 9H □ FM + 9H10X RH9PF90 + 9H □ FB + 9H10X	17	28	41	69	83	100	100	100	100	100	100	100				
RH9PG90 + 9H □ GB	17	28	41	62	74	112	134	190	200	200	200	-	100	100	100	100

- 表示한 減速比의 GEAR HEAD는 出力軸의 回轉方向이 MOTOR軸의 回轉方向과 反對로 됩니다.
- SPEED(回轉數)는 MOTOR의 回轉數(50Hz에서 1500rpm, 60Hz에서 1800rpm)를 基準하여 算出하였습니다. 實使用時의 回轉數는 負荷의 크기에 따라 위의 表보다 2~15% 작게 됩니다.
- □에는 減速比를 指定하여 주십시오. GEAR HEAD는 別途로 販賣됩니다.
- The rotation of geared motor in gray screen is reverse of motor rotation.
- SPEED OF GEARED MOTOR is based on motor synchronous speed. In normal operation, the speed will be 2 to 15 percent lower than above figure.
- When ordering gear head, please fill the blank □ with gear ratio.



■ OUTLINE DIMENSION

Fig.1 MOTOR (STRAIGHT SHAFT) RH9S90 WT 3.2 kg

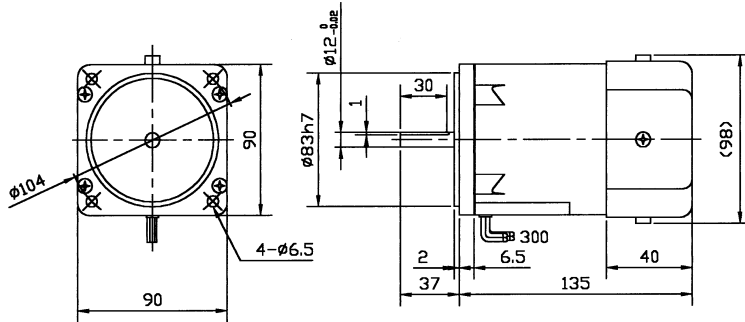
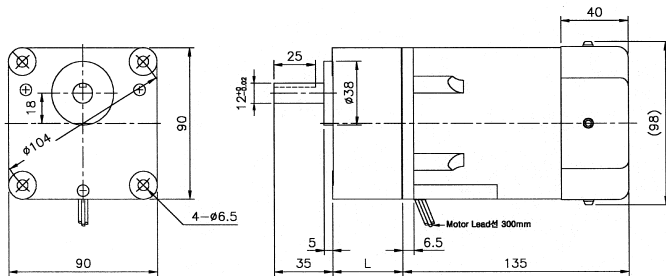


Fig.2 GEARED MOTOR

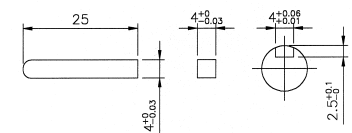
RH9PF90 + 9H □ FM (9H □ FB) WT 3.2 + 0.8/0.9 kg



L, 重量, BOLT

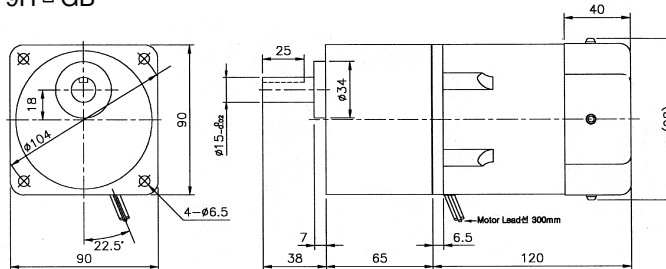
TYPE	減速比	L mm	重量 Kg	BOLT
9H □ FM	1/3-1/18	42	0.8	M6 × 70
9H □ FB	1/25-1/180	60	0.9	M6 × 90

KEY SIZE (mm)



RH9PG90 + 9H □ GB WT 3.2 + 1.5 kg

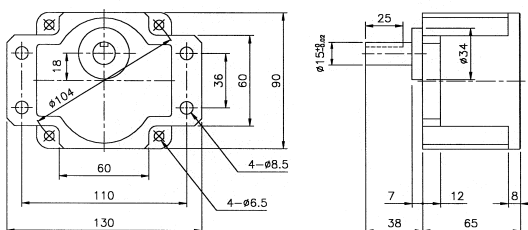
9H □ GB



BOLT

TYPE	BOLT
9H □ GB	M6 × 90
9H □ GB-F	M6 × 25

9H □ GB-F



KEY SIZE (mm)

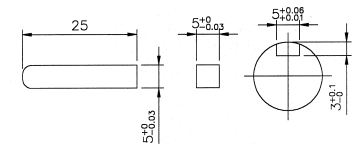
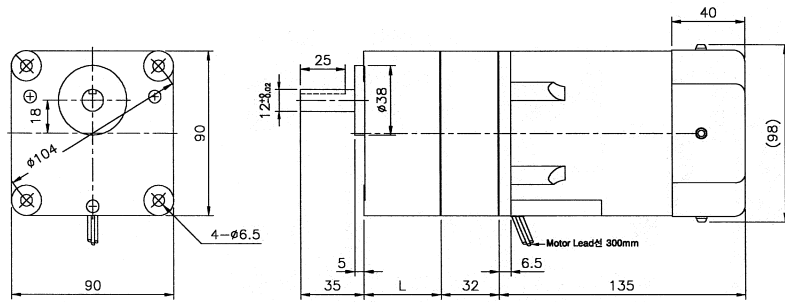
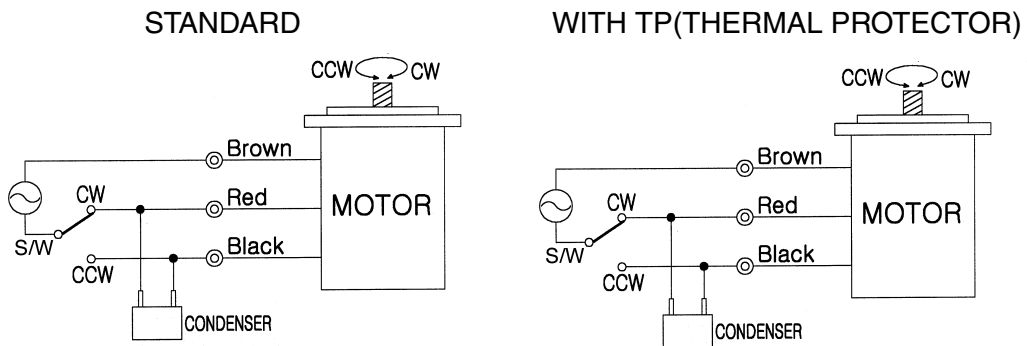


Fig.3 GEARED MOTOR WITH DECIMAL GEAR (中間 GEAR 使用時)
 RH9PF90 + 9H10X + 9H □ FM (9H □ FB) WT 3.2 + 0.8/0.9 + 0.6 kg



■ WIRING DIAGRAM



· The direction of rotation is seen from the end of motor shaft.