



*Striving For
Superior Precision*



Planetary Gearhead

低背隙行星式 **減速機** 型錄

Ver.
2

About

品質 · 技術 · 服務一體的泰映

Quality, Technic, Service all-in-one

『泰映科技股份有限公司』，為精密馬達、馬達控制器及精密減速機設計、製造一體的馬達專業製造商。TROY Enterprise Co., Ltd. specializes in the designing and manufacturing of Motors, Motor drivers, Motor controllers and Gearhead series.

為了建立『以客戶為中心、滿足客戶需求』的銷售服務體系，落實對客戶『提供好的產品與服務給客戶，協助客戶提升競爭力』的品質政策與承諾，公司成立之後於產品開發階段即導入ISO9001、ISO14001之國際品質與環境保證體系，於1999年獲得德國TUV認證通過；並於2009年再次獲得ISO9001：2008年版認證通過。

ISO9001 and ISO14001 was introduced into the company to establish a customer-oriented service system to fulfill the quality policy "Providing the customers with good products and services". In 1999, we passed the audit conducted by TÜV Germany and got certificates of ISO9001 and ISO14001. We got the certificate of ISO9001 of year 2008 version again in 2009.

『泰映科技』是一家具備創新精神、有理念、講究系統發展的公司。因為創新，我們能以滿足客戶需求為中心，徹底落實『品質』『技術』與『服務』的理念，提供好的產品與服務給客戶。

TROY is a creativity and idea company which places importance on system development. Based on our capability, we will continue our commitment to innovate and support you in finding the proper products for your application. With our belief Quality, Technic, and Service, we can always meet your demand and be your best partner.

製造體系架構

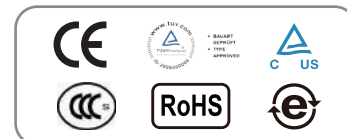
Structure of manufacturing system

馬達 · 減速機 · 驅動器 · 控制器

Motors, Gearheads, Motor drivers and Motor controllers

可依客戶需求提供ODM及OEM的專業服務

ODM & OEM professional service by demand.



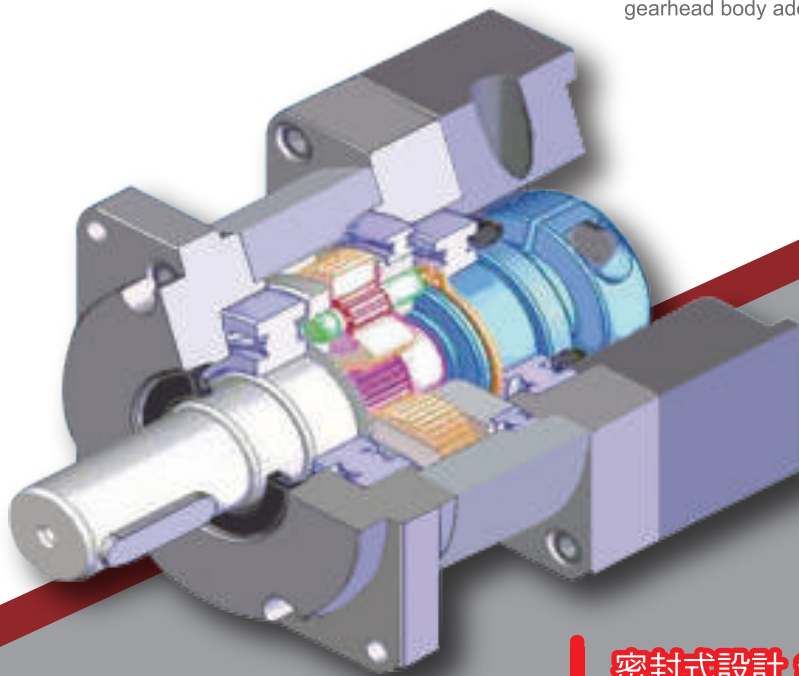
減速機結構特色

Gearhead Structure Features

一體化設計 提升結構強度

Integrated Design To Enhance The Structural Strength

- ◆ 精密型/標準型，皆採直接在減速機本體內部進行內環齒的滾製，提高齒輪系嚙合精度與結構強度
Both of the precision type / standard type have been conducted rolled for its inner ring tooth to enhance the precision engagement and structural strength to the gearhead.
- ◆ 出力軸與行星齒輪架一體加工成型，提升減速機的最大容許轉矩
Integral processing and molding for output shaft and planetary gearhead wheel frame to enhance the maximum permissible torque of the gearhead.



合金鋼材質SKIVING製程

Alloy Steel Material SKIVING Process

- ◆ 全系齒輪採用高韌性、高強度的SCM系合金鋼材質
Full gear series adopts high toughness and high strength SCM series alloy steel material.
- ◆ 齒輪採SKIVING滾齒製程，提高齒輪系嚙合精度
Gear adopts SKIVING hobbling process, improve the mesh accuracy for the gear train.

雙螺絲鎖付軸心固定方式

Fixing Method Of Double Screws For Locking Output Shaft

- ◆ 馬達軸心與減速機連結方式採對邊雙螺絲鎖付方式，提升締結的鎖緊力
Link method for motor output shaft and gearhead adopts opposite double screw locking way to enhance the locking force to the linkage.

耐環境性表面特殊處理

Special Surface Processing For Environmental Resistance

- ◆ 本體合金鋼材部分採無電解鍍表面光亮處理
Alloy steel material part of the gearhead body adopts no electrolytic nickel surface bright processing.
- ◆ 前後蓋鋁合金材部分採陽極電著皮膜處理
Front and rear cover aluminum alloy material part of the gearhead body adopts anode electricity film processing.

密封式設計 無須更換潤滑油

Sealed Design Without Replacing Lubricating Oil

- ◆ 配置前後二段油封，潤滑油不會洩漏
With before and after two oil seals, the lubricating oil will not leak out.
採用耐極壓性合成潤滑油脂，無須換油保養
- ◆ Use extreme pressure resistance synthetic lubricants, there is no need to replace lubricating oil for maintenance.

模組化多樣式馬達安裝

Modular Multi-Style Motor Mounting Surface

- ◆ 多樣式馬達安裝面選用，可搭配各廠牌伺服、無刷、步進馬達安裝
Multi-style motor mounting surface choice for matching with all brands of servo, brushless, stepper motor.

高精度 · 高機械剛性
High Precision · High Mechanical Rigidity



減速比：3-100

Gearhead Ratio

搭配馬達容量：0.1KW-5KW

Available Motor Capacity

精密型

Precision Type

背隙5-8分

Backlash 5~8 arc-min



標準型

Standard Type

背隙6-10分

Backlash 6~10 arc-min



低背隙行星式減速機

LOW Backlash Planetary Gearhead

Contents

品名看法 Model Name	01
減速機比數一覽表 Gearhead Ratio List	02
精密型 Precision Type	02
標準型 Standard Type	03
規格&額定輸出轉矩 Specification & Rated Output Torque	04
外形尺寸圖&馬達安裝面編碼說明 Dimension & Motor Mounting Surface Coding Instruction	05
安裝說明 Installation Instruction	07
產品保固及注意事項 Product Warranty Precaution	08

提供好的產品與服務給客戶
Provide good products and services to customers

協助客戶提升競爭力
To Enhance Customers Competitiveness

是 **TROY** 對您的承諾!!
Is TROY Commitment To You !!

Planetary Gearhead

品名看法 Model Name

減速機 Gearhead

9	P	5	G	—	1											
安裝面尺寸 Installation Sizes	產品系列 Product Series	減速比 Gearhead Ratio		型式 Type	馬達安裝面編碼 Motor Mounting Surface Coding											
6	行星式減速機 Planetary Gearhead	3	1/3	25	1/25	<table border="1"> <tr><td style="text-align: center;">1</td></tr> <tr><td style="text-align: center;">2</td></tr> <tr><td style="text-align: center;">3</td></tr> <tr><td style="text-align: center;">4</td></tr> <tr><td style="text-align: center;">5</td></tr> <tr><td style="text-align: center;">6</td></tr> <tr><td style="text-align: center;">7</td></tr> <tr><td style="text-align: center;">8</td></tr> <tr><td style="text-align: center;">9</td></tr> <tr><td style="text-align: center;">S</td></tr> </table>	1	2	3	4	5	6	7	8	9	S
1																
2																
3																
4																
5																
6																
7																
8																
9																
S																
精密型(方形) Precision type (square type)	□60mm	4	1/4	28	1/28											
標準型(圓形) Standard type (circular type)	□62mm	5	1/5	30	1/30											
9	□90mm	7	1/7	35	1/35											
12	□120mm	10	1/10	40	1/40											
15	□142mm	12	1/12	50	1/50											
		15	1/15	70	1/70											
		16	1/16	100	1/100											
		20	1/20													

註：精密型與標準型提供比數各有不同
Note: Precision and standard type provide different gearhead ratio
請詳閱頁碼P.2~3
Please refer to page P.2 ~3

訂製品 Customized Products

9P5G -	S	1	A	□	B	□	C	□	d	□							
訂製品 Customized Products	馬達安裝面編碼 Motor Mounting Surface Coding	變更部位 A Modification Part A	需求尺寸 Demand Size	變更部位 B Modification Part B	需求尺寸 Demand Size	變更部位 C Modification Part B	需求尺寸 Demand Size	變更部位 d Modification Part d	需求尺寸 Demand Size								
	<table border="1"> <tr><td style="text-align: center;">1</td></tr> <tr><td style="text-align: center;">2</td></tr> <tr><td style="text-align: center;">3</td></tr> <tr><td style="text-align: center;">4</td></tr> <tr><td style="text-align: center;">5</td></tr> <tr><td style="text-align: center;">6</td></tr> <tr><td style="text-align: center;">7</td></tr> <tr><td style="text-align: center;">8</td></tr> <tr><td style="text-align: center;">9</td></tr> </table>	1	2	3	4	5	6	7	8	9	馬達安裝面 尺寸PCD ∅ Customized products		螺絲孔 Screw holes		馬達凸緣 尺寸 ∅ Motor flange size		馬達軸徑 ∅ Motor shaft diameter
1																	
2																	
3																	
4																	
5																	
6																	
7																	
8																	
9																	
	詳見頁碼P.5~6 Please refer to page P.5 ~ 6	<p>※毋需變更之部位，則不必列出。 To no need for changing part will not be listed.</p>															



■ 精密型 Precision Type

使用馬達規格 Motor Specification		減速比 Gearhead Ratio	低減速比 Low Gearhead Ratio					中減速比 Medium Gearhead Ratio												
功率 (W) Power	轉速 (r/min) Speed		型號 Model	3	4	5	7	10	12	15	16	20	25	28	30	35	40	50	70	100
100	3000	6P□H-□	◆	◆	◆	◆	◆	◆	◆	◆	◆	◆	◆	◆	◆	◆	◆	◆	◆	◆
200	3000	6P□H-□	◆	◆	◆	◆	◆	◆	◆	◆	◆	◆	◆	◆	◆	◆	◆	◆	◆	◆
		9P□H-□	◆	◆	◆	◆	◆	◆	◆	◆	◆	◆	◆	◆	◆	◆	◆	◆	◆	◆
400	3000	6P□H-□	◆	◆	◆	◆	◆	◆	◆	◆	◆	◆	◆	◆	◆	◆	◆	◆	◆	◆
		9P□H-□	◆	◆	◆	◆	◆	◆	◆	◆	◆	◆	◆	◆	◆	◆	◆	◆	◆	◆
500	2000	9P□H-□	◆	◆	◆	◆	◆	◆	◆	◆	◆	◆	◆	◆	◆	◆	◆	◆	◆	◆
		12P□H-□	◆	◆	◆	◆	◆	◆	◆	◆	◆	◆	◆	◆	◆	◆	◆	◆	◆	◆
750	3000	9P□H-□	◆	◆	◆	◆	◆	◆	◆	◆	◆	◆	◆	◆	◆	◆	◆	◆	◆	◆
		12P□H-□	◆	◆	◆	◆	◆	◆	◆	◆	◆	◆	◆	◆	◆	◆	◆	◆	◆	◆
1K	2000	9P□H-□	◆	◆	◆	◆	◆	◆	◆	◆	◆	◆	◆	◆	◆	◆	◆	◆	◆	◆
		12P□H-□	◆	◆	◆	◆	◆	◆	◆	◆	◆	◆	◆	◆	◆	◆	◆	◆	◆	◆
		15P□H-□	◆	◆	◆	◆	◆	◆	◆	◆	◆	◆	◆	◆	◆	◆	◆	◆	◆	◆
1.5K	2000	9P□H-□	◆	◆	◆	◆	◆	◆	◆	◆	◆	◆	◆	◆	◆	◆	◆	◆	◆	◆
		12P□H-□	◆	◆	◆	◆	◆	◆	◆	◆	◆	◆	◆	◆	◆	◆	◆	◆	◆	◆
		15P□H-□	◆	◆	◆	◆	◆	◆	◆	◆	◆	◆	◆	◆	◆	◆	◆	◆	◆	◆
2K	3000	12P□H-□	◆	◆	◆	◆	◆	◆	◆	◆	◆	◆	◆	◆	◆	◆	◆	◆	◆	◆
	2000	15P□H-□	◆	◆	◆	◆	◆	◆	◆	◆	◆	◆	◆	◆	◆	◆	◆	◆	◆	◆
3.5K	3000	12P□H-□	◆	◆	◆	◆	◆	◆	◆	◆	◆	◆	◆	◆	◆	◆	◆	◆	◆	◆
	2000	15P□H-□	◆	◆	◆	◆	◆	◆	◆	◆	◆	◆	◆	◆	◆	◆	◆	◆	◆	◆
5K	3000	12P□H-□	◆	◆	◆	◆	◆	◆	◆	◆	◆	◆	◆	◆	◆	◆	◆	◆	◆	◆
	2000	15P□H-□	◆	◆	◆	◆	◆	◆	◆	◆	◆	◆	◆	◆	◆	◆	◆	◆	◆	◆

註 1：上述“◆”記號為可選用之減速比。

Note 1: Above “◆” mark is selectable gearhead ratio.

註 2：100比以上之高比數減速機為訂製品，若有需要請洽各營業所。

Note 2: The gearhead ratio which is higher than 100 is customized, if necessary, please contact our local sales.

註 3：負載慣性量較大的場合，減速機型號請加大一級使用，若有特殊需求請洽各營業所。

Note 3: Under larger load inertia occasion, please use the larger ratio level gearhead. If you have special spec, please contact our sales.



減速機比數一覽表 Gearhead Ratio List

Planetary Gearhead

標準型 Standard Type

使用馬達規格 Motor Specification		減速比 Gearhead Ratio	低減速比 Low Gearhead Ratio					中減速比 Medium Gearhead Ratio												
功率 (W) Power	轉速 (r/min) Speed		型號 Model	3	4	5	7	10	12	15	16	20	25	28	30	35	40	50	70	100
100	3000	6P□G-□		◆	◆	◆	◆			◆	◆	◆	◆		◆	◆	◆	◆	◆	
200	3000	6P□G-□		◆	◆	◆	◆			◆	◆	◆	◆		◆	◆	◆			
		9P□G-□	◆	◆	◆	◆	◆	◆	◆	◆	◆	◆	◆	◆		◆	◆	◆	◆	◆
400	3000	6P□G-□		◆	◆	◆	◆			◆	◆	◆	◆							
		9P□G-□	◆	◆	◆	◆	◆	◆	◆	◆	◆	◆	◆	◆		◆	◆	◆	◆	◆
500	2000	9P□G-□	◆	◆	◆	◆	◆	◆	◆	◆	◆	◆	◆							
		12P□G-□	◆	◆	◆	◆	◆	◆	◆	◆	◆	◆	◆	◆	◆	◆	◆	◆	◆	◆
750	3000	9P□G-□	◆	◆	◆	◆	◆	◆	◆	◆	◆	◆	◆							
		12P□G-□	◆	◆	◆	◆	◆	◆	◆	◆	◆	◆	◆	◆	◆	◆	◆	◆	◆	◆
1K	2000	9P□G-□	◆	◆	◆	◆														
		12P□G-□	◆	◆	◆	◆	◆	◆	◆	◆	◆	◆	◆	◆	◆	◆	◆	◆		
		15P□G-□	◆	◆	◆	◆	◆	◆	◆	◆	◆	◆	◆	◆	◆	◆	◆	◆	◆	◆
1.5K	2000	9P□G-□	◆	◆	◆	◆	◆													
		12P□G-□	◆	◆	◆	◆	◆	◆	◆	◆	◆	◆	◆	◆	◆					
		15P□G-□	◆	◆	◆	◆	◆	◆	◆	◆	◆	◆	◆	◆	◆	◆	◆	◆	◆	◆
2K	3000	12P□G-□	◆	◆	◆	◆	◆	◆	◆											
	2000	15P□G-□	◆	◆	◆	◆	◆	◆	◆	◆	◆	◆	◆	◆	◆	◆	◆	◆		
3.5K	3000	12P□G-□	◆	◆	◆	◆	◆	◆	◆											
	2000	15P□G-□	◆	◆	◆	◆	◆	◆	◆	◆	◆	◆	◆	◆	◆	◆				
5K	3000	12P□G-□	◆	◆	◆	◆	◆	◆	◆											
	2000	15P□G-□	◆	◆	◆	◆	◆	◆	◆	◆	◆	◆	◆	◆						

註 1：上述“◆”記號為可選用之減速比。

Note 1: Above “◆” mark is selectable gearhead ratio.

註 2：100比以上之高比數減速機為訂製品，若有需要請洽各營業所。

Note 2: The gearhead ratio which is higher than 100 is customized, if necessary, please contact our local sales.

註 3：負載慣性慣量較大的場合，減速機型號請加大一級使用，若有特殊需求請洽各營業所。

Note 3: Under larger load inertia occasion, please use the larger ratio level gearhead. If you have special spec, please contact our sales.

Planetary Gearhead

行星式減速機 Planetary Gearhead



■ 規格 Specifications

安裝面(mm) Mounting Surface		精密型 Precision Type	□60	□90	□120	□142	
		標準型 Standard Type	□62				
型式 Type	精密型 Precision Type □P□H-□	型號 Model	6P□H-□	9P□H-□	12P□H-□	15P□H-□	
		背隙 Backlash (arc-min)	3-10比 Ratio	≤ 5			
			12-100比 Ratio	≤ 8			
	標準型 Standard Type □P□G-□	型號 Model	6P□G-□	9P□G-□	12P□G-□	15P□G-□	
背隙 Backlash (arc-min)		3-10比 Ratio	≤ 6				
		12-100比 Ratio	≤ 10				
最大輸出轉矩Max. Output Torque (Nm)			3倍額定輸出轉矩 3 Times of Rated Output Torque				
額定輸入轉速Rated Input Speed (r/min)			3000				
扭轉剛性Torsional Rigidity (Nm/arc-min)			5	18	28	51	
容許徑向力Max. Radial Force (N)			1100	2000	5500	9000	
容許軸向力Max. Axial Force (N)			550	1000	2750	4500	
效率Efficiency (%)	3-10比 Ratio		96				
	12-100比 Ratio		93				
重量Weight (Kg)	3-10比 Ratio		1.6	4.5	8.0	17.0	
	12-100比 Ratio		2.0	6.0	11.0	22.0	
使用溫度Operation Temperature (°C)			-10~+80				
潤滑油 Lubrication			耐極壓型合成油脂 Extreme Pressure Resistance Type Synthetic Grease				
安裝方向 Mounting Position			任意方向 Any Direction				
噪音值Noise Level (dB) 註Note			≤ 65		≤ 68		

註：在一般環境的背景噪音下，以噪音計距離減速機本體1cm進行量測。

Note：Under the background noise of general environment, please use noise meter to measure from the distance 1cm to the gearhead body.

■ 額定輸出轉矩 Rated output torque

減速比 Gearhead Ratio		低減速比 Low Gearhead Ratio						中減速比 Medium Gearhead Ratio												
		3	4	5	7	10	12	15	16	20	25	28	30	35	40	50	70	100		
額定輸出轉矩 Rated output torque	精密型 Precision Type	6P□H-□	50	45	50	50	35	45	50	45	50	50	50	50	52	50	40	35	35	35
		9P□H-□	75	90	100	100	75	75	75	90	90	100	90	75	100	75	75	75	75	75
		12P□H-□	208	290	330	300	230	208	208	290	290	330	290	330	330	290	330	300	230	
		15P□H-□	342	542	650	550	450	342	342	542	542	650	542	342	650	542	650	550	450	
	標準型 Standard Type	6P□G-□	-	45	50	50	35	-	-	45	50	50	50	-	50	40	35	35	35	
		9P□G-□	75	90	100	100	75	75	75	90	90	100	90	75	100	75	75	75	75	
		12P□G-□	208	290	330	300	230	208	208	290	290	330	290	330	330	290	330	300	230	
		15P□G-□	342	542	650	550	450	342	342	542	542	650	542	342	650	542	650	550	450	

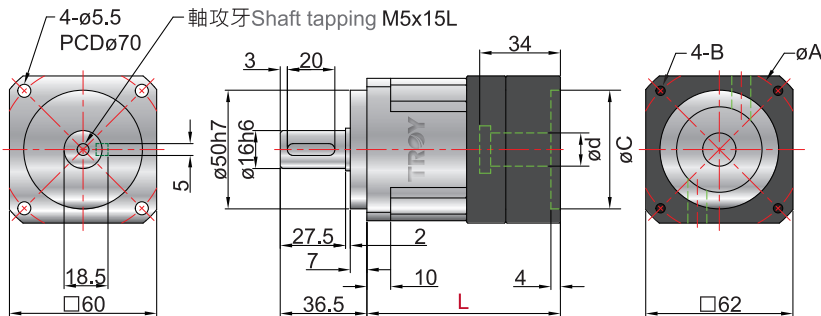
Planetary Gearhead

行星式減速機 Planetary Gearhead

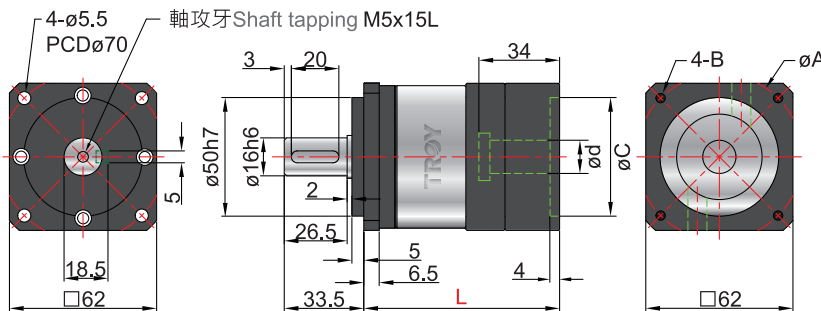
外形尺寸圖 Dimension

□60mm/□62mm

精密型 Precision Type 6P□H-□

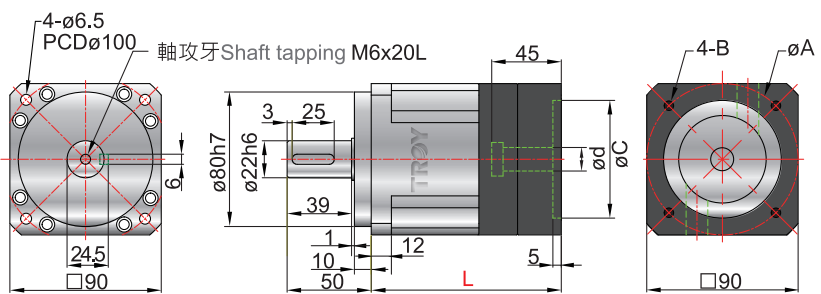


標準型 Standard Type 6P□G-□

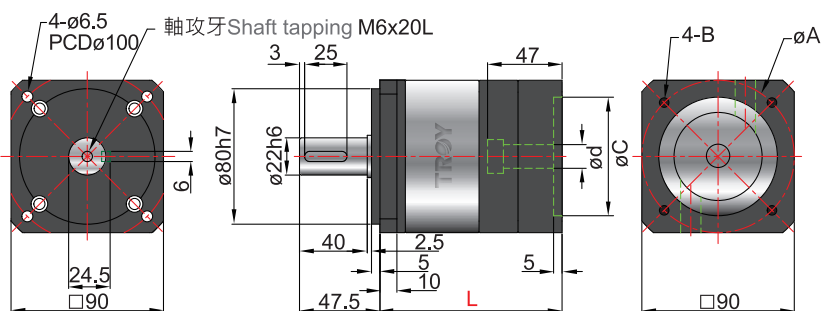


□90mm

精密型 Precision Type 9P□H-□



標準型 Standard Type 9P□G-□



註Note:

- 馬達安裝面編碼所對應的尺寸會依各廠牌馬達的不同而有所差異，請做再次確認。
The size of the motor mounting surface coding will be different depends on all brands motor. Please confirm the spec again.
- 若您需求的馬達安裝面尺寸不在表格中，請提供馬達尺寸以做進一步確認。
If your required motor mounting surface size is not in the table, please provide the motor size to.
- 本公司擁有尺寸變更的權利。
Our company has the right of changing size.

單位Unit: mm

馬達安裝面編碼 Motor Mounting Surface Coding	馬達安裝面尺寸 Motor mounting Surface Size	螺絲孔 Screw Hole	馬達凸緣尺寸 Motor Flange Size	馬達軸徑 Motor Shaft
NO.	PCDøA	B	øC	ød
1	46	M3	30	8
2				11
3	70	M4	50	14
4				11
5	90	M5	70	14~16
6				14
7	66.7	M6	38.1	6.35
8				6
9	70	M4	47	8
A				8
B	70.7	M4	36	10
C				10

本體長度 Body Length L

型式 Type	比數 Ratio	
	3~10比 Ratio	12~100比 Ratio
精密型 Precision Type	81.5	105.5
標準型 Standard Type	82.5	105.5

單位Unit: mm

馬達安裝面編碼 Motor Mounting Surface Coding	馬達安裝面尺寸 Motor mounting Surface Size	螺絲孔 Screw Hole	馬達凸緣尺寸 Motor Flange Size	馬達軸徑 Motor Shaft
NO.	PCDøA	B	øC	ød
1	70	M4	50	11
2				14
3	90	M5	70	16
4				19
5	100	M6	80	16
6				14
7	104	M8	83	10
8				10
9	98.9	M5	60	12
A				14
B	98.9	M5	73	12
C				14
D	98.9	M5	73	14
E				12
F	14			

本體長度 Body Length L

型式 Type	比數 Ratio	
	3~10比 Ratio	12~100比 Ratio
精密型 Precision Type	113	144
標準型 Standard Type	107.5	134.5

Planetary Gearhead

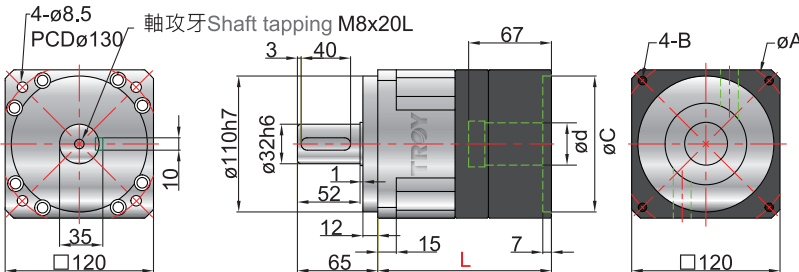
行星式減速機 Planetary Gearhead



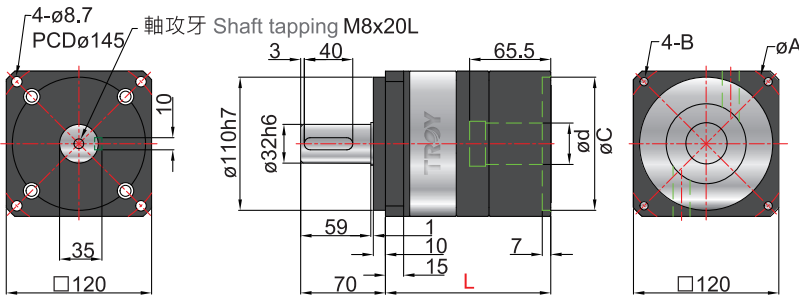
■ 外形尺寸圖 Dimension

□ 120mm

◆ 精密型 Precision Type 12P □ H-□

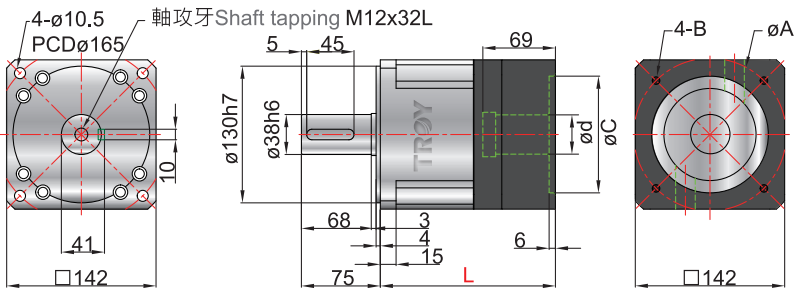


◆ 標準型 Standard Type 12P □ G-□

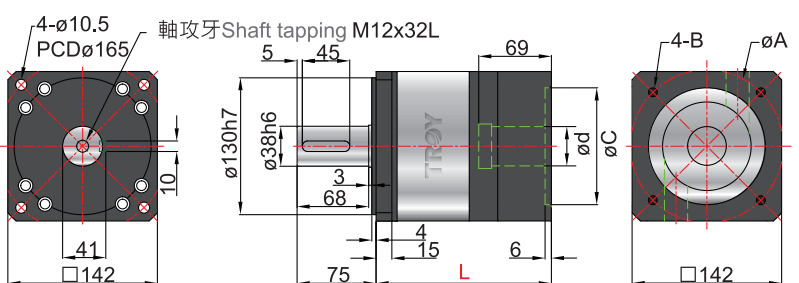


□ 142mm

◆ 精密型 Precision Type 15P □ H-□



◆ 標準型 Standard Type 15P □ G-□



註 Note :

- 馬達安裝面編碼所對應的尺寸會依各廠牌馬達的不同而有所差異，請做再次確認。
The size of the motor mounting surface coding will be different depends on all brands motor. Please confirm the spec again.
- 若您需求的馬達安裝面尺寸不在表格中，請提供馬達尺寸以做進一步確認。
If your required motor mounting surface size is not in the table, please provide the motor size to us.
- 本公司擁有尺寸變更的權利。
Our company has the right of changing size.

單位 Unit : mm

馬達安裝面編碼 Motor Mounting Surface Coding	馬達安裝面尺寸 Motor Mounting Surface Size	螺絲孔 Screw hole	馬達凸緣尺寸 Motor flange size	馬達軸徑 Motor shaft
NO.	PCD øA	B	øC	ød
1	90	M6	70	16
2		M5		19
3		M6	80	19
4	19			
5	145	M8	110	19
6				22
7				24
8				28

本體長度 Body Length L			
比數 Ratio		3~10比 Ratio	12~100比 Ratio
型式 Type	馬達安裝面編碼 Motor Mounting Surface Coding		
精密型 Precision Type	1~4	140.5	171.5
	5~8	150.5	181.5
標準型 Standard Type	1~4	136.5	167.5
	5~8	146.5	177.5

單位 Unit : mm

馬達安裝面編碼 Motor Mounting Surface Coding	馬達安裝面尺寸 Motor Mounting Surface Size	螺絲孔 Screw Hole	馬達凸緣尺寸 Motor Flange Size	馬達軸徑 Motor Shaft
NO.	PCD øA	B	øC	ød
1	145	M8	110	19
2				22
3				24
4				28
5	165	M10	130	32
6	200	M12	114.3	35
7				42
8	215		180	38

本體長度 Body Length L			
比數 Ratio		3~10比 Ratio	12~100比 Ratio
型式 Type	馬達安裝面編碼 Motor Mounting Surface Coding		
精密型 Precision Type	1~5	166.5	212.5
	6~8	186.5	232.5
標準型 Standard Type	1~5	166.5	212.5
	6~8	186.5	232.5

減速機與馬達安裝順序

Gearhead and Motor Installation Sequence

1. 將馬達出力軸擦拭乾淨

Wipe the motor output shaft clearly



2. 將馬達裝入減速機內並鎖緊螺絲

Install the motor into the gearhead and lock the screws



3. 將減速機入力軸套的兩顆螺絲鎖緊(螺絲鎖緊的扭力請參考下表)

Lock the two screws of the gearhead input shaft sleeve (Please refer to the following table for screw locking torque)



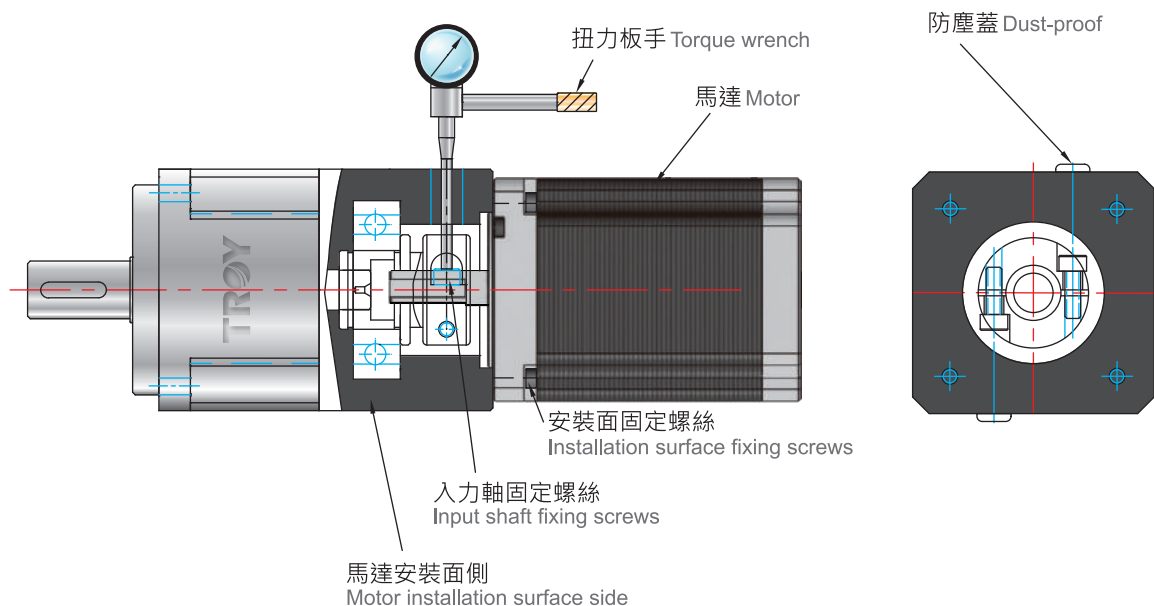
4. 將防塵蓋裝入減速機

Put dust-proof cover into the gearhead

螺絲鎖緊的扭力

Screw Locking Torque

螺絲規格 Screw Specification		M3	M4	M5	M6	M8	M10	M12
鎖緊扭力 Locking Torque	Nm	0.2	0.45	0.9	1.53	3.0	7.35	12.8
	kgcm	2.0	4.5	9.0	15.3	30.0	73.5	128.0





保固內容 Warranty content

1. 保固期間 Warranty period

本公司的產品保固期間為購買產品後抑或是將產品交貨至指定地方後一年內。
Our company's products warranty period is after purchasing or after delivering products to the designated place within one year.

2. 保固範圍 Warranty range

保固期間內，若產品因非人為因素而發生故障，客戶將產品寄回，本公司免費更換受損零件。但因下列故障原因不在保固範圍內：

During the warranty period, if the product have malfunction condition due to non-human factors, customers need to ship the product back for us our freely replace damaged parts . But the following reasons does not be covered in the warranty range:

- a) 不在本目錄或規格書內所規定的條件、環境的使用下所造成的故障。
The faults caused by not the prescribed condition and the using environment to the contents of this catalog or specification.
- b) 非產品本身原因所造成的故障。
The faults caused by non-product itself reason.
- c) 未依照原本設計之使用方式所造成的故障。
The faults caused by not in accordance with the original design of using way.
- d) 非經由本公司所進行的改裝或維修所造成的故障。
The faults caused by non-via modification or maintenance from our company.
- e) 其他天然、自然災害等不可抗力所導致的故障。
The faults caused by other force majeure factor like natural disasters.

此外，上述保固僅限於本公司產品本身，因產品故障所導致之相關損失並不包含在本保固範圍內。
Besides, above warranty is only limited to our company's products. If the related losses due to products' malfunction does not be included within the scope of warranty.

責任限制 Limitation of liability

關於因本公司產品所引發之一切特別損害、間接損害、消極損害(應得利益之喪失)，本公司不負任何責任。

About the all special damages, indirect damages and negative damages (loss of deserve benefits) caused by our company's products, we will assume no responsibility.

選購時，應符合用途條件 Compliance using application conditions while purchasing

將本公司產品與其他產品搭配使用時，請確認是否符合客戶所需之規格、法規或限制等。此外，請客戶自行確認目前所使用的系統、機械或是裝置是否適用於本公司產品。如未確認是否符合或適用時，本公司無須對本公司產品的適用性負責。

When use our company's products with other products, make sure it meets customer's required specification, regulation and restriction or not. Besides, let customers confirm their own using systems, mechanical parts and device is suitable for our present company's product or not. If not confirming the compliance or suitability, our company will not be responsible for the suitability of our company's products.

潤滑 Lubrication

減速機為密封式設計，不需換油。
Gearhead belongs to sealed design , it has no need to replace lubricating oil.

油品採用耐極壓型合成油脂。
Lubricating oil adopts the extreme pressure resistance synthetic lubricants.

周圍使用溫度0~+40°C。
Ambient temperature 0 ~ + 40°C

減速機本體最高容許溫度85°C以下。
The max. permissible ambient temperature to the gearhead body : below 85°C

註：工作場合溫度0°C以下，訂購前需註明清楚。
Note : Under workplace temperature below 0°C, please indicate it clearly before ordering.



台灣·中國區總代理：
General Agent For Taiwan, China Area

厚利貿易股份有限公司
SUNHOLY TRADING CO., LTD

WWW.SUNHOLY.COM.TW

✉ sales@sunholy.com.tw

台灣地區
Taipei Head Quarter

技術諮詢專線 ▶ 0800-450168
Technical Consultation Advice line

台北總公司
Taipei Head Quarter

886-2-2516-6060
886-2-2508-0323

中壢分公司
Chung-Li Branch

886-3-435-2330
886-3-435-4106

台中分公司
Taichung Branch

T 886-4-2355-0318
F 886-4-2355-0319

高雄分公司
Kaohsiung Branch

T 886-7-342-5099
F 886-7-342-0019

中國地區-客服中心
China Area-Customer Service Center

廈門市
Xiamen Branch
T 86-15880268812
Q 2994115633
sales@sunholy.com.cn

無錫 Wuxi
蘇州 Suzhou
昆山 Kunshan
上海 Shanghai

東莞 Dongguan
珠海 Zhuhai
深圳 Shenzhen

廈門
Xiamen Branch

台中分公司
Taichung Branch

中壢分公司
Chung-Li Branch

台北總公司
Taipei Head Quarter

高雄分公司
Kaohsiung Branch

- 客服中心
Customer Service Center
- 物流中心
Distribution Center
- 維修中心
Repair Center
- 經銷商
Distributor

TROY



厚利小幫手 應用程式 Sunholy helper Application
厚利小幫手 應用程式(中国) Sunholy helper Application (China)
厚利官網 Sunholy Website